



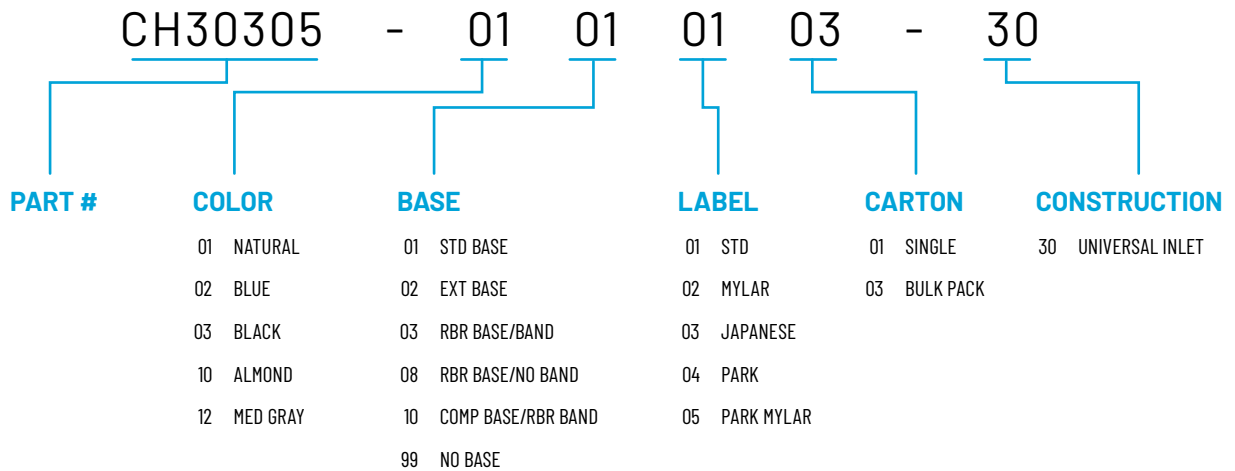
STRUCTURAL 2019 PARTS LIST

waterpurification.pentair.com

TABLE OF CONTENTS

Polyglass Tanks	6	DI-DST Riser.....	29
Filled PG Tanks.....	16	2.5" Manifolds	29
Composite Tanks	17	2.5" Manifold, Vertical Inlet/Outlets, No Fill Port	29
18" Pressure Vessels	17	2.5" Manifold, Horizontal Inlet/Outlet	29
21" Pressure Vessels	17	2.5" Manifold, Vertical Inlet/Outlets	29
24" Pressure Vessels.....	18	2.5" Manifold, Horizontal Inlet/Outlet, Fill Port	29
30" Pressure Vessels.....	19	Riser/Basket Assemblies.....	29
36" Pressure Vessels.....	20	4.5" Manifolds	30
42" Pressure Vessels.....	20	Riser/Basket Assemblies.....	30
48" Pressure Vessels.....	20	Manifold Components.....	31
63" Pressure Vessels.....	21	Brine Tanks	32
ASME Pressure Vessels	21	11x34 Brine Tanks	32
CT Tanks & RO Tanks	22	11x34 Accessories.....	32
CT Tanks	22	14x34 Brine Tanks.....	32
RO Tanks.....	22	14x34 Accessories	32
RO Replacement Aircell Kits	22	18" Round Brine Tanks.....	32
Quick-Connect Accessories.....	22	18" Brine Accessories.....	33
Fiberglass Reinforced Plastic	23	Air Checks	33
Tank Parts.....	24	Commercial Brine Tanks.....	33
FRP Additional Openings 6"-13".....	23	Commercial Accessories	33
FRP Additional Openings 14"-16"	23	Cabinets.....	34
FRP Base Adder.....	24	SoftFlo Full Cabinet Assembly	34
Carton Adder	24	SoftFlo Assembly	34
Polyglass & Composite Bases	24	SoftFlo Parts And Accessories	34
Rubber Bases	25		
Rubber Bumpers	25		
Accessories.....	25		
Distributor Kits.....	27		
Top Mount 1.5" Riser Port 6 Laterals	27		
Top Mount 3" Riser Port 8 Laterals	27		
Top Mount 3" Riser Port 16 Laterals	27		
Bottom Mount Hub & Lateral	27		
Bottom Mount Hub & Lateral (Threaded Openings).....	28		
Top Mount Diffusers & Hub & Laterals.....	28		
Bottom Mount High Flow Hub & Laterals.....	28		
Bottom Mount High Flow Hub & Laterals.....	28		
Side Mount Diffusers & Hub & Laterals	28		

PRODUCT CONFIGURATOR



NOTE: Single Pack Adder =

KEY TO ABBREVIATIONS									
ABS	ACRYLONITRILE BUTADIENE STYRENE	CF	CUBIC FEET	FTG	FITTING	LAT	LATERAL	RES VLV	RESIDENTIAL VALVE
ADA	ADAPTER	CLOS	CLOSURE	HS	ULTRA HIGH FLOW	LBL	LABEL	STD	STANDARD
ALM	ALMOND	COMP	COMPOSITE	HT SKID	HEAT TREATED SKID (INT'L SHIPMENT)	NAT	NATURAL	TBSF	TOP & BOTTOM SIDE FLANGE
ASSY	ASSEMBLY	CTN	CARTON	IB	THREADED INLET BOTTOM	NPSM	NATIONAL PIPE STRAIGHT MECHANICAL	TF	TOP FLANGE
BAS/BS	BASE	CVR	COVER	INJ	INJECTION MOLDED	NXS	NEXUS	TK	TANK
BF	BOTTOM FLANGE	DH	DOME HOLE	IT	THREADED INLET TOP	OR	O-RING	TRIPD	TRIPOD BASE
BLK/BK	BLACK	DIST	DISTRIBUTOR	MED GRAY	MEDIUM GRAY	PE	POLYETHYLENE	UI	UNIVERSAL INLET
BRN	BRINE	EXT	EXTENDED BASE	MNT	MOUNT	PG	POLYGLASS	VE	VINYL ESTER
BTRS	BUTTRESS THREAD	FRP	FIBER REINFORCED POLYMER	MW	MANWAY	PK	PACK	SMC	SHEET MOLDED COMPOUND
						RBR	RUBBER		

 SIGNATURE PRODUCTS

PART #	DESCRIPTION	DIMENSIONS (DIA. x HEIGHT)	BULK QTY.
--------	-------------	-------------------------------	--------------

POLYGLASS TANKS

CH30109-02010103-30	0613 PG 2.5”T UI BLUE COMP BASE STD LABEL BULK PACK	06x13	99 @ 364 lbs
CH30109-10010103-30	0613 PG 2.5”T UI ALM COMP BASE STD LABEL BULK PK		
CH30109-02990103-30	0613 PG 2.5”T UI BLUE NO BASE STD LABEL BULK PACK		
CH30127-01010103-30	0618 PG 2.5”T UI NAT COMP BASE STD LABEL BULK PACK	06x18	66 @ 276 lbs
CH30127-02010103-30	0618 PG 2.5”T UI BLUE COMP BASE STD LABEL BULK PACK		
CH30127-10010103-30	0618 PG 2.5”T UI ALM COMP BASE STD LABEL BULK PACK		
CH30127-03010203-30	0618 PG 2.5”T UI BLK COMP BASE MYLAR LABEL BULK PACK		
CH30127-12010103-30	0618 PG 2.5”T UI MED GRAY COMP BASE STD LABEL BULK PACK		
CH30127-02990103-30	0618 PG 2.5”T UI BLUE NO BASE STD LABEL BULK PACK		
CH30127-10990103-30	0618 PG 2.5”T UI ALM NO BASE STD LABEL BULK PACK		
CH30151-01010103-30	0635 PG 2.5”T UI NAT COMP BASE STD LABEL BULK PACK		
CH30151-02010103-30	0635 PG 2.5”T UI BLUE COMP BASE STD LABEL BULK PACK		
CH30151-10010103-30	0635 PG 2.5”T UI ALM COMP BASE STD LABEL BULK PACK		
CH30151-03010203-30	0635 PG 2.5”T UI BLK COMP BASE MYLAR LABEL BULK PACK		
CH30190-01010103-30	0735 PG 2.5”T UI NAT COMP BASE STD LABEL BULK PACK	07x35	24 @ 213 lbs
CH30190-10010103-30	0735 PG 2.5”T UI ALM COMP BASE STD LABEL BULK PACK		
CH30190-03010203-30	0735 PG 2.5”T UI BLK COMP BASE MYLAR LBL BULK PACK		
CH30213-01010103-30	0744 PG 2.5”T UI NAT COMP BASE STD LABEL BULK PACK	07x44	24 @ 236 lbs
CH30213-02010103-30	0744 PG 2.5”T UI BLUE COMP BASE STD LABEL BULK PK		
CH30213-10010103-30	0744 PG 2.5”T UI ALM COMP BASE STD LABEL BULK PK		
CH30213-03010203-30	0744 PG 2.5”T UI BLK COMP BASE MYLAR LABEL BULK PK		



PART #	DESCRIPTION	DIMENSIONS (DIA. x HEIGHT)	BULK QTY.
CH31835-01010103-30	0818 PG 2.5”T UI NAT COMP BASE STD LABEL BULK PACK	08x18	36 @ 216 lbs
CH31835-10010103-30	0818 PG 2.5”T UI ALM COMP BASE STD LABEL BULK PACK		
CH31835-01990103-30	0818 PG 2.5”T UI NAT NO BASE STD LABEL BULK PACK		
CH30264-01010103-30	0835 PG 2.5”T UI NAT COMP BASE STD LABEL BULK PACK	08x35	18 @ 196 lbs
CH30264-02010103-30	0835 PG 2.5”T UI BLUE COMP BASE STD LABEL BULK PACK		
CH30264-10010103-30	0835 PG 2.5”T UI ALM COMP BASE STD LABEL BULK PACK		
CH30264-03010203-30	0835 PG 2.5”T UI BLK COMP BASE MYLAR LABEL BULK PACK		
CH30264-12010103-30	0835 PG 2.5”T UI MED GRAY COMP BASE STD LABEL BULK PACK		
CH30264-01990103-30	0835 PG 2.5”T UI NAT NO BASE STD LABEL BULK PACK		
CH30264-10990103-30	0835 PG 2.5”T UI ALM NO BASE STD LABEL BULK PACK		
CH30286-01010103-30	0840 PG 2.5”T UI NAT COMP BASE STD LABEL BULK PK		
CH30286-02010103-30	0840 PG 2.5”T UI BLUE COMP BASE STD LABEL BULK PK		
CH30286-10010103-30	0840 PG 2.5”T UI ALM COMP BASE STD LABEL BULK PK		
CH30286-03010203-30	0840 PG 2.5”T UI BLACK COMP BASE MYLAR LABEL BULK PK		
CH30305-01010103-30	0844 PG 2.5”T UI NAT COMP BASE STD LABEL BULK PACK	08x44	18 @ 210 lbs
CH30305-02010103-30	0844 PG 2.5”T UI BLUE COMP BASE STD LABEL BULK PACK		
CH30305-10010103-30	0844 PG 2.5”T UI ALM COMP BASE STD LABEL BULK PACK		
CH30305-12010103-30	0844 PG 2.5”T UI MED GRAY COMP BASE STD LABEL BULK PACK		
CH30305-03010203-30	0844 PG 2.5”T UI BLACK COMP BASE MYLAR LABEL BULK PACK		
CH30305-01030103-30	0844 PG 2.5”T UI NAT RBR BASE RBR BAND STD LABEL BULK PACK		



PART #	DESCRIPTION	DIMENSIONS (DIA. x HEIGHT)	BULK QTY.
CH30317-01010103-30	0918 PG 2.5”T UI NAT COMP BASE STD LABEL BULK PACK	09x18	28 @ 188 lbs
CH30317-02010103-30	0918 PG 2.5”T UI BLUE COMP BASE STD LABEL BULK PACK		
CH30317-10010103-30	0918 PG 2.5”T UI ALM COMP BASE STD LABEL BULK PACK		
CH30317-03010203-30	0918 PG 2.5”T UI BLK COMP BASE MYLAR LABEL BULK PACK		
CH30317-10990103-30	0918 PG 2.5”T UI ALM NO BASE STD LABEL BULK PACK		
CH30347-01010103-30	0935 PG 2.5”T UI NAT COMP BASE STD LABEL BULK PACK	09x35	14 @ 138 lbs
CH30347-10010103-30	0935 PG 2.5”T UI ALM COMP BASE STD LABEL BULK PACK		
CH30347-02010103-30	0935 PG 2.5”T UI BLUE COMP BASE STD LABEL BULK PACK		
CH30347-03010203-30	0935 PG 2.5”T UI BLK COMP BASE STD LABEL BULK PACK		
CH30347-01990103-30	0935 PG 2.5”T UI NAT NO BASE STD LABEL BULK PACK		
CH30347-02990103-30	0935 PG 2.5”T UI BLUE NO BASE STD LABEL BULK PACK		
CH30347-10990103-30	0935 PG 2.5”T UI ALM NO BASE STD LABEL BULK PACK	09x40	14 @ 130 lbs
CH30360-01010103-30	0940 PG 2.5”T UI NAT COMP BASE STD LABEL BULK PACK		
CH30360-02010103-30	0940 PG 2.5”T UI BLUE COMP BASE STD LABEL BULK PACK		
CH30360-10010103-30	0940 PG 2.5”T UI ALM COMP BASE STD LABEL BULK PACK		
CH30360-03010203-30	0940 PG 2.5”T UI BLK COMP BASE MYLAR LABEL BULK PACK	09x42	14 @ 228 lbs
CH30367-01010103-30	0942 PG 2.5”T UI NAT COMP BASE STD LBL BULK PACK		
CH30367-10010103-30	0942 PG 2.5”T UI ALM COMP BASE STD LBL BULK PACK		
CH30367-01030103-30	0942 PG 2.5”T UI NAT RBR BASE/ RBR BAND BULK PACK		



PART #	DESCRIPTION	DIMENSIONS (DIA. x HEIGHT)	BULK QTY.
CH30383-01010103-30	0948 PG 2.5”T UI NAT COMP BASE STD LABEL BULK PACK	09x48	16 @ 207 lbs
CH30383-02010103-30	0948 PG 2.5”T UI BLUE COMP BASE STD LABEL BULK PACK		
CH30383-10010103-30	0948 PG 2.5”T UI ALM COMP BASE STD LABEL BULK PACK		
SP CH30383-03010203-30	0948 PG 2.5”T UI BLACK COMP BASE MYLAR LABEL BULK PACK		
CH30383-12010103-30	0948 PG 2.5”T UI MED GRAY COMP BASE STD LABEL BULK PACK		
CH30383-02990103-30	0948 PG 2.5”T UI BLUE NO BASE STD LABEL BULK PACK		
CH31357-01010103-30	1018 PG 2.5”T UI NAT COMP BASE STD LBL BULK PACK	10x18	24 @ 198 lbs
CH31357-10010103-30	1018 PG 2.5”T UI ALM COMP BASE STD LBL BULK PACK		
CH31357-03010203-30	1018 PG 2.5”T UI BLK COMP BASE MYLAR LBL BULK PACK		
CH31357-01990103-30	1018 PG 2.5”T UI NAT NO BASE STD LBL BULK PACK		
CH30460-01010103-30	1035 PG 2.5”T UI NAT COMP BASE STD LABEL BULK PACK	10x35	12 @ 128 lbs
CH30460-02010103-30	1035 PG 2.5”T UI BLUE COMP BASE STD LABEL BULK PACK		
CH30460-12010103-30	1035 PG 2.5”T UI MED GRAY COMP BASE STD LABEL BULK PACK		
SP CH30460-03010203-30	1035 PG 2.5”T UI BLK COMP BASE STD LABEL BULK PACK		
CH30460-10010103-30	1035 PG 2.5”T UI ALM COMP BASE STD LABEL BULK PACK		
CH30460-01990103-30	1035 PG 2.5”T UI NAT NO BASE STD LABEL BULK PACK		
CH30460-02990103-30	1035 PG 2.5”T UI BLUE NO BASE STD LABEL BULK PACK		
CH30460-10990103-30	1035 PG 2.5”T UI ALM NO BASE STD LABEL BULK PACK		
CH30460-12990103-30	1035 PG 2.5”T UI MED GRAY COMP NO BASE STD LABEL BULK PACK		

PART #	DESCRIPTION	DIMENSIONS (DIA. x HEIGHT)	BULK QTY.
CH30491-01010103-30	1040 PG 2.5"T UI NAT COMP BASE STD LABEL BULK PACK	10x40	12 @ 169 lbs
CH30491-02010103-30	1040 PG 2.5"T UI BLUE COMP BASE STD LABEL BULK PACK		
CH30491-10010103-30	1040 PG 2.5"T UI ALM COMP BASE STD LABEL BULK PACK		
CH30491-03010203-30	1040 PG 2.5"T UI BLK COMP BASE MYLAR LABEL BULK PACK		
CH30491-12010103-30	1040 PG 2.5"T UI MED GRAY COMP BASE STD LABEL BULK PACK		
CH30491-10030103-30	1040 PG 2.5"T UI ALM RBR BASE/ BAND STD LBL BULK PACK		
CH30523-01010103-30	1044 PG 2.5"T UI NAT COMP BASE STD LABEL BULK PACK	10x44	12 @ 156 lbs
CH30523-02010103-30	1044 PG 2.5"T UI BLUE COMP BASE STD LABEL BULK PACK		
CH30523-10010103-30	1044 PG 2.5"T UI ALM COMP BASE STD LABEL BULK PACK		
CH30523-12010103-30	1044 PG 2.5"T UI MED GRAY COMP BASE STD LABEL BULK PK		
CH30523-03010203-30	1044 PG 2.5"T UI BLK COMP BASE STD LABEL BULK PK		
CH34328-01010103-30	1044 PG 2.5"UI 1.25"DH LOC A NAT COMP BASE STD LBL BULK PK		
CH34328-10010103-30	1044 PG 2.5"UI 1.25"DH LOC A ALM COMP BASE STD LBL BULK PK	10x47	14 @ 216 lbs
CH30546-01010103-30	1047 PG 2.5"T UI NAT ABS BASE STD LABEL BULK PK		
CH30546-02010103-30	1047 PG 2.5"T UI BLUE ABS BASE STD LABEL BULK PK		
CH30546-10010103-30	1047 PG 2.5"T UI ALM ABS BASE STD LABEL BULK PK		
CH30546-03010203-30	1047 PG 2.5"T UI BLACK ABS BASE MYLAR LABEL BULK PK		
CH30546-12010103-30	1047 PG 2.5"T UI MED GRAY ABS BASE STD LABEL BULK PK		

PART #	DESCRIPTION	DIMENSIONS (DIA. x HEIGHT)	BULK QTY.
CH30579-01010103-30	1054 PG 2.5" T UI NAT COMP BASE STD LABEL BULK PACK	10x54	16 @ 273 lbs
CH30579-02010103-30	1054 PG 2.5" T UI BLUE COMP BASE STD LABEL BULK PACK		
CH30579-12010103-30	1054 PG 2.5" T UI MED GRAY COMP BASE STD LABEL BULK PACK		
CH30579-10010103-30	1054 PG 2.5" T UI ALM COMP BASE STD LABEL BULK PACK		
CH30579-03010203-30	1054 PG 2.5" T UI BLACK COMP BASE MYLAR LABEL BULK PACK		
CH30579-10990103-30	1054 PG 2.5" T UI ALM NO BASE STD LABEL BULK PACK		
CH30579-02030103-30	1054 PG 2.5" T UI BLUE RBR BASE RBR BAND STD LABEL BULK PK		
CH34297-01010103-30	1054 PG 2.5" UI 1.25" DH LOC A NAT COMP BASE STD LBL BULK PK		
CH34297-10010103-30	1054 PG 2.5" UI 1.25" DH LOC A ALM COMP BASE STD LBL BULK PK		
CH34297-12010103-30	1054 PG 2.5" UI 1.25" DH LOC A MED GRAY COMP BASE STD LBL BP		
CH34325-01010103-30	1054 PG 2.5" UI 1.25" DH LOC B NAT COMP BASE STD LBL BULK PK		
CH34325-10010103-30	1054 PG 2.5" UI 1.25" DH LOC B ALM COMP BASE STD LBL BULK PK		
CH34326-01010103-30	1054 PG 2.5" UI 1.25" DH LOC C NAT COMP BASE STD LBL BULK PK		
CH30615-01010101-30	1242 PG 2.5" T UI NAT COMP BAS STD LABEL SINGLE CTN	12x42	N/A
CH30615-02010101-30	1242 PG 2.5" T UI BLUE COMP BS STD LABEL SINGLE CTN		
CH30615-03010201-30	1242 PG 2.5" T UI BLK COMP BAS MYLAR LABEL SINGLE CTN		
CH30615-10010101-30	1242 PG 2.5" T UI ALM COMP BAS STD LABEL SINGLE CTN		

PART #	DESCRIPTION	DIMENSIONS (DIA. x HEIGHT)	BULK QTY.
CH30646-01010103-30	1248 PG 2.5"T UI NAT COMP BASE STD LBL BULK PK	12x48	9 @ 205 lbs
CH30646-02010103-30	1248 PG 2.5"T UI BLUE COMP BASE STD LBL BULK PACK		
CH30646-10010103-30	1248 PG 2.5"T UI ALM COMP BASE STD LABEL BULK PACK		
CH30646-12010103-30	1248 PG 2.5"T UI MED GRAY COMP BASE STD LBL BULK PK		
CH30646-03010203-30	1248 PG 2.5"T UI BLK COMP BASE STD LBL BULK PK		
CH30666-01010103-30	1252 PG 2.5"T UI NAT COMP BASE STD LABEL BULK PACK	12x52	9 @ 176 lbs
CH30666-02010103-30	1252 PG 2.5"T UI BLUE COMP BASE STD LABEL BULK PACK		
CH30666-10010103-30	1252 PG 2.5"T UI ALM COMP BASE STD LABEL BULK PACK		
CH30666-03010203-30	1252 PG 2.5"T UI BLK COMP BASE MYLAR LABEL BULK PACK		
CH30666-12010103-30	1252 PG 2.5"T UI MED GRAY COMP BASE STD LABEL BULK PK		
CH30666-02080103-30	1252 PG 2.5"T UI BLUE RBR BASE NO BAND STD LABEL BULK PACK		
CH30666-10080103-30	1252 PG 2.5"T UI ALM RBR BASE NO BAND STD LABEL BULK PACK		
CH30669-01010103-30	1252 PG 4"T NAT COMP BASE STD LABEL BULK PACK		
CH30669-02010103-30	1252 PG 4"T BLUE COMP BASE STD LABEL BULK PACK		
CH30669-10010103-30	1252 PG 4"T ALM COMP BASE STD LABEL BULK PACK		
CH32127-01030103-30	1252 PG 4.5"T (BTRS) NAT RBR BASE / BAND BULK PACK		
CH32127-02010103-30	1252 PG 4.5"T (BTRS) BLUE COMP BASE STD LBL BULK PACK		
CH32127-02030103-30	1252 PG 4.5"T (BTRS) BLUE RBR BASE / BAND STD LBL BULK PACK		
CH34333-01010103-30	1252 PG 2.5"UI 1.25"DH LOC A NAT COMP BASE STD LBL BULK PK		
CH34333-10010103-30	1252 PG 2.5"UI 1.25"DH LOC A ALM COMP BASE STD LBL BULK PK		
CH34334-01010103-30	1252 PG 2.5"UI 1.25"DH LOC B NAT COMP BASE STD LBL BULK PK		
CH34334-10010103-30	1252 PG 2.5"UI 1.25"DH LOC B ALM COMP BASE STD LBL BULK PK		
CH34335-10010103-30	1252 PG 2.5"UI 1.25"DH LOC C ALM COMP BASE STD LBL BULK PK		

PART #	DESCRIPTION	DIMENSIONS (DIA. x HEIGHT)	BULK QTY.
CH30721-01010103-30	1354 PG 2.5"T UI NAT COMP BASE STD LABEL BULK PACK	13x54	9 @ 256 lbs
CH30721-02010103-30	1354 PG 2.5"T UI BLUE COMP BASE STD LBL BULK PACK		
CH30721-10010103-30	1354 PG 2.5"T UI ALM COMP BASE STD LBL BULK PK		
CH30721-03010203-30	1354 PG 2.5"T UI BLACK COMP BASE MYLAR LBL BULK PK		
CH30721-12010103-30	1354 PG 2.5"T UI MED GRAY COMP BASE STD LBL BULK PACK		
CH30724-01010103-30	1354 PG 4"T NAT COMP BASE STD LABEL BULK PACK		
CH30724-02010103-30	1354 PG 4"T BLUE COMP BASE STD LABEL BULK PACK		
CH30724-10010103-30	1354 PG 4"T ALM COMP BASE STD LABEL BULK PACK		
CH30724-03010203-30	1354 PG 4"T BLACK COMP BASE MYLAR LABEL BULK PACK		
CH30724-12010103-30	1354 PG 4"T MED GRAY COMP BASE STD LABEL BULK PACK		
CH34336-01010103-30	1354 PG 2.5"UI 1.25"DH LOC A NAT COMP BASE STD LBL BULK PK		
CH34336-02010103-30	1354 PG 2.5"UI 1.25"DH LOC A BLUE COMP BASE STD LBL BULK PK		
CH34336-10010103-30	1354 PG 2.5"UI 1.25"DH LOC A ALM COMP BASE STD LBL BULK PK		
CH34336-12010103-30	1354 PG 2.5"UI 1.25"DH LOC A MED GRAY COMP BASE STD LBL BP		
CH34337-10010103-30	1354 PG 2.5"UI 1.25"DH LOC B ALM COMP BASE STD LBL BULK		
CH34338-10010103-30	1354 PG 2.5"UI 1.25"DH LOC C ALM COMP BASE STD LBL BULK		

PART #	DESCRIPTION	DIMENSIONS (DIA. x HEIGHT)	BULK QTY.
CH31389-01010103-30	1447 PG 2.5"T UI NAT COMP BASE STD LABEL BULK PK	14x47	6 @ 222 lbs
CH31389-02010103-30	1447 PG 2.5"T UI BLUE COMP BASE STD LABEL BULK PK		
CH31389-10010103-30	1447 PG 2.5"T UI ALM COMP BASE STD LABEL BULK PK		
CH31389-01030103-30	1447 PG 2.5"T UI NAT RBR BASE / BAND STD LABEL BULK PK		
CH30745-01010103-30	1447 PG 4"T NAT COMP BASE STD LABEL BULK PACK		
CH30745-10010103-30	1447 PG 4"T ALMOND COMP BASE STD LABEL BULK PACK		
CH32006-01010103-30	1447 PG 4.5"T (BTRS) NAT COMP BASE STD LBL BULK PACK		
CH32006-10010103-30	1447 PG 4.5"T (BTRS) ALM COMP BASE STD LBL BULK PACK		
CH32006-01080103-30	1447 PG 4.5"T (BTRS) NAT RBR BASE NO BAND STD LBL BULK PACK		
CH32006-10080103-30	1447 PG 4.5"T (BTRS) ALM RBR BASE NO BAND STD LBL BULK PACK		
CH32006-01030103-30	1447 PG 4.5"T (BTRS) NAT RBR BASE / BAND STD LBL BULK PACK		
CH32006-02030103-30	1447 PG 4.5"T (BTRS) BLUE RBR BASE /BAND STD LBL BULK PACK		
CH32006-10030103-30	1447 PG 4.5"T (BTRS) ALM RBR BASE / BAND STD LBL BULK PACK		
CH32006-12030103-30	1447 PG 4.5"T (BTRS) M-GRAY RBR BASE /BAND STD LBL BULK PK		

PART #	DESCRIPTION	DIMENSIONS (DIA. x HEIGHT)	BULK QTY.
CH30783-01010103-30	1465 PG 2.5”T UI NAT COMP BASE STD LABEL BULK PACK	14x65	9 @ 363 lbs
CH30783-02010103-30	1465 PG 2.5”T UI BLUE COMP BASE STD LABEL BULK PACK		
CH30783-03010203-30	1465 PG 2.5”T UI BLK COMP BASE MYLAR LABEL BULK PACK		
CH30783-10010103-30	1465 PG 2.5”T UI ALM COMP BASE STD LABEL BULK PACK		
CH30783-12010103-30	1465 PG 2.5”T UI MED GRAY COMP BASE STD LABEL BULK PACK		
CH30785-01010103-30	1465 PG 4”T NAT COMP BASE STD LABEL BULK PACK		
CH30785-02010103-30	1465 PG 4”T BLUE COMP BASE STD LABEL BULK PACK		
CH30785-10010103-30	1465 PG 4”T ALM COMP BASE STD LABEL BULK PACK		
CH30785-03010203-30	1465 PG 4”T BLACK COMP BASE MYLAR LABEL BULK PACK		
CH30785-12010103-30	1465 PG 4”T MED GRAY COMP BASE STD LABEL BULK PACK		
CH30785-01030103-30	1465 PG 4”T NAT RBR BASE/BAND STD LABEL BULK PACK	16x53	N/A
CH30864-01010101-30	1653 PG 4”T NAT COMP BASE STD LABEL SINGLE CTN		
CH30864-10010101-30	1653 PG 4”T ALM COMP BASE STD LABEL SINGLE CTN		

PART #	DESCRIPTION	DIMENSIONS (DIA. x HEIGHT)	BULK QTY.
CH31627-01010103-30	1665 PG 2.5"T UI NAT COMP BASE STD LABEL BULK PACK	16x65	9 @ 374 lbs
CH31627-02010103-30	1665 PG 2.5"T UI BLUE COMP BASE STD LABEL BULK PACK		
CH31627-03010203-30	1665 PG 2.5"T UI BLACK COMP BASE MYLAR LABEL BULK PACK		
CH31627-12010103-30	1665 PG 2.5"T UI MED GRAY COMP BASE STD LBL BULK PACK		
CH30912-01010103-30	1665 PG 4"T NAT COMP BASE STD LABEL BULK PACK		
CH30912-02010103-30	1665 PG 4"T BLUE COMP BASE STD LABEL BULK PACK		
CH30912-10010103-30	1665 PG 4"T ALM COMP BASE STD LABEL BULK PACK		
CH30912-03010203-30	1665 PG 4"T BLK COMP BASE MYLAR LABEL BULK PACK		
CH30912-12010103-30	1665 PG 4"T MED GRAY COMP BASE STD LABEL BULK PACK		

FILLED PG TANKS

CH34359	0844 NAT 2.5"T UI STD RESIN FILL 0.75 CF DIST SYSTEM	08x44	20 @ 1153 lbs
CH34402	0844 BLK 2.5"T UI STD RESIN FILL 0.75 CF DIST SYSTEM		
CH34360	0948 NAT 2.5"T UI STD RESIN FILL 1.0 CF DIST SYSTEM	09x48	16 @ 1420 lbs
CH34403	0948 BLK 2.5"T UI STD RESIN FILL 1.0 CF DIST SYSTEM		
CH34361	1054 NAT 2.5"T UI STD RESIN FILL 1.5 CF DIST SYSTEM	10x54	16 @ 1806 lbs
CH34404	1054 BLK 2.5"T UI STD RESIN FILL 1.5 CF DIST SYSTEM		

PART #	DIMENSIONS (DIA. x HEIGHT)	DESCRIPTION
--------	-------------------------------	-------------

COMPOSITE TANKS



18" PRESSURE VESSELS

CH30948-03010201-30	18x65	1865 COMP 4" T UI BLACK STD SMC BASE MYLAR LBL SINGLE CTN
CH30948-02010201-30	18x65	1865 COMP 4" T UI BLUE STD SMC BASE MYLAR LABEL SINGLE CTN
CH30948-12010201-30	18x65	1865 COMP 4" T UI MED GRAY STD SMC BASE MYLAR LBL SINGLE CTN
CH30948-01010101-30	18x65	1865 COMP 4" T UI NAT STD SMC BASE STD LABEL SINGLE CTN
CH34044	18x65	1865 COMP 4" T 4" B BLUE TRIPOD BASE STD LABEL SINGLE CTN
CH33378	18x65	1865 COMP 4" T 4" B NAT TRIPOD BASE STD LABEL SINGLE CTN
CH33379	18x65	1865 COMP 6" TF 6" BF NAT TRIPOD STD LABEL SINGLE CTN
CH33655	18x65	1865 COMP 6" TF NAT SMC STD BASE STD LABEL SINGLE CTN

21" PRESSURE VESSELS

CH33864	21x36	2136 COMP 4" T BLACK SMC STD BASE STD LABEL SINGLE CTN
CH33853	21x36	2136 COMP 4" T NAT EXT BASE STD LABEL SINGLE CTN
CH33878	21x36	2136 COMP 4" T NAT SMC STD BASE STD LABEL SINGLE CTN
CH33380	21x36	2136 COMP 4" T 4" B NAT TRIPOD BASE STD LABEL SINGLE CTN
CH30953-03010201-30	21x62	2162 COMP 4" T UI BLACK STD SMC BASE MYLAR LBL SINGLE CTN
CH30953-02010201-30	21x62	2162 COMP 4" T UI BLUE STD SMC BASE MYLAR LABEL SINGLE CTN
CH30953-12010201-30	21x62	2162 COMP 4" T UI MED GRAY STD SMC BASE MYLAR LBL SINGLE CTN
CH30953-01010101-30	21x62	2162 COMP 4" T UI NAT STD SMC BASE STD LBL SINGLE CTN
CH33384	21x62	2162 COMP 4" T 4" B NAT EXT STD LABEL SINGLE CTN
CH33386	21x62	2162 COMP 4" T 4" B NAT NO BASE STD LABEL SINGLE CTN
CH33387	21x62	2162 COMP 4" T 4" B NAT SMC STD BASE STD LABEL SINGLE CTN
CH33385	21x62	2162 COMP 4" T 4" B NAT TRIPOD BASE STD LABEL SINGLE CTN
CH34096	21x62	2162 COMP 6" TF NAT STD SMC BASE STD LBL SINGLE CTN
CH34097	21x62	2162 COMP 6" TF 6" BF NAT TRIPOD BASE STD LBL SINGLE CTN

NOTE: If you require additional colors or base options other than listed above, please contact CUSTOMER CARE.

PART #	DIMENSIONS (DIA. x HEIGHT)	DESCRIPTION
24" PRESSURE VESSELS		
CH33390	24x38	2438 COMP 4"T NAT SMC STD BASE STD LABEL SINGLE CTN
CH33391	24x38	2438 COMP 4"T 4"B NAT EXT BASE STD LABEL SINGLE CTN
CH33859	24x38	2438 COMP 6"TF 6"BF NAT TRIPOD STD LABEL SINGLE CTN
CH33782	24x50	2450 COMP 4"T 4"B NAT TRIPOD BASE STD LABEL SINGLE CTN
CH33392	24x50	2450 COMP 4"T NAT SMC BASE STD LABEL SINGLE CTN
CH33976	24x65	2465 COMP 4"T BLK STD SMC BASE MYLAR LABEL SINGLE CTN
CH33394	24x65	2465 COMP 4"T NAT SMC BASE STD LABEL SINGLE CTN
CH34105	24x65	2465 COMP 4"T 4"B ALM EXT SMC BASE STD LBL SINGLE CTN
CH34382	24x65	2465 COMP 4"T 4"B BLUE TRIPOD BASE STD LBL SINGLE CTN
CH33395	24x65	2465 COMP 4"T 4"B NAT TRIPOD BASE STD LBL SINGLE CTN
CH33397	24x65	2465 COMP 6"TF 6"BF NAT TRIPOD BASE STD LABEL SINGLE CTN
CH33396	24x65	2465 COMP 6"TF NAT STD SMC BSE STD LABEL SINGLE CTN
CH31153-03010201-30	24x72	2472 COMP 4"T UI BLACK STD SMC BASE MYLAR LBL SINGLE CTN
CH31153-02010201-30	24x72	2472 COMP 4"T UI BLUE STD SMC BASE MYLAR LBL SINGLE CTN
CH31153-12010201-30	24x72	2472 COMP 4"T UI MED GRAY STD SMC BASE MYLAR LBL SINGLE CTN
CH31153-01020101-30	24x72	2472 COMP 4"T UI NAT EXT SMC BASE STD LBL SINGLE CTN
CH31153-01010101-30	24x72	2472 COMP 4"T UI NAT STD SMC BASE STD LABEL SINGLE CTN
CH34100	24x72	2472 COMP 4"T 4"B BLUE TRIPOD BASE STD LABEL SINGLE CTN
CH33403	24x72	2472 COMP 4"T 4"B NAT EXT BASE STD LABEL SINGLE CTN
CH33404	24x72	2472 COMP 4"T 4"B NAT STD SMC BASE STD LABEL SINGLE CTN
CH33405	24x72	2472 COMP 4"T 4"B NAT TRIPOD BASE STD LABEL SINGLE CTN
CH33406	24x72	2472 COMP 6"TF NAT SMC BASE STD LABEL SINGLE CTN
CH33865	24x72	2472 COMP 6"TF 6"BF BLACK EXT SMC BASE STD LBL SINGLE CTN
CH33408	24x72	2472 COMP 6"TF 6"BF NAT TRIPOD STD LABEL SINGLE CTN
NOTE: If you require additional colors or base options other than listed above, please contact CUSTOMER CARE.		

PART #	DIMENSIONS (DIA. x HEIGHT)	DESCRIPTION
30" PRESSURE VESSELS		
CH33970	30x72	3072 COMP 4"T ALM EXT BASE STD LABEL SINGLE CTN
CH34157	30x72	3072 COMP 4"T BLK EXT BASE STD LBL CTN/HT SKID
CH34385	30x72	3072 COMP 4"T BLUE EXT BASE STD LBL SINGLE CTN
CH33971	30x72	3072 COMP 4"T 4"B ALM EXT BASE STD LABEL SINGLE CTN
CH33704	30x72	3072 COMP 4"T 4"B BLUE TRIPOD BASE STD LABEL SINGLE CTN
CH34383	30x72	3072 COMP 4"T 4"B BLUE TRIPOD BASE STD LBL CTN/HT SKID
CH33411	30x72	3072 COMP 4"T 4"B NAT EXT BASE STD LABEL SINGLE CTN
CH33409	30x72	3072 COMP 4"T 4"B NAT EXT BASE STD LBL CTN/HT SKID
CH33773	30x72	3072 COMP 6"IT NAT EXT DIST STD LBL SINGLE CTN
CH33413	30x72	3072 COMP 6"TF BLACK EXT BASE MYLAR LABEL SINGLE CTN
CH33412	30x72	3072 COMP 6"TF NAT EXT BASE STD LBL CTN/HT SKID
CH33414	30x72	3072 COMP 6"TF 6"BF NAT TRIPOD STD LBL CTN/HT SKID
<i>NOTE: If you require additional colors or base options other than listed above, please contact CUSTOMER CARE.</i>		

PART #	DIMENSIONS (DIA. x HEIGHT)	DESCRIPTION
36" PRESSURE VESSELS		
CH33509	36x57	3657 COMP 6"TF 6"BF BLUE TRIPD BASE STD LABEL SINGLE CTN
CH33418	36x57	3657 COMP 6"TF 6"BF NAT TRIPOD BASE STD LABEL SINGLE CTN
CH33417	36x57	3657 COMP 6"TF NAT EXT BASE STD LABEL SINGLE CTN
CH34079	36x72	3672 COMP 4"T NAT EXT BASE STD LABEL CTN/HT SKID
CH33972	36x72	3672 COMP 4"T 4"B ALM EXT BASE STD LABEL SINGLE CTN
CH33420	36x72	3672 COMP 4"T 4"B BLUE EXT BSE STD LABEL SINGLE CTN
CH33419	36x72	3672 COMP 4"T 4"B NAT EXT BASE STD LBL CTN/HT SKID
CH33774	36x72	3672 COMP 4"T 4"B NAT TRIPOD BASE STD LABEL SINGLE CTN
CH33769	36x72	3672 COMP 6"IT NAT EXT DIST STD LBL SINGLE CTN
CH33421	36x72	3672 COMP 6"TF NAT EXT BASE STD LBL CTN/HT SKID
CH34342	36x72	3672 COMP 6"TF ALM EXT BASE STD LBL SINGLE CTN
CH33422	36x72	3672 COMP 6"TF BLACK EXT BASE MYLAR LABEL SINGLE CTN
CH33423	36x72	3672 COMP 6"TF NAT TRIPOD BASE STD LABEL SINGLE CTN
CH33494	36x72	3672 COMP 6"TF 6"BF BLUE TRIPD BASE STD LBL SINGLE CTN
CH33507	36x72	3672 COMP 6"TF 6"BF GRAY TRIPD BASE STD LABEL SINGLE CTN
CH33424	36x72	3672 COMP 6"TF 6"BF NAT TRIPOD STD LBL CTN/HT SKID
CH33426	36x72	3672 COMP 6"TF 6"BF 4"BSF NAT TRIPOD BASE STD LBL SKID
42" PRESSURE VESSELS		
CH34343	42x72	4272 COMP 6"TF ALM SHORT BASE STD LABEL SKID
CH33978	42x72	4272 COMP 6"TF BLK TRIPOD BASE MYLAR LBL SKID
CH33427	42x72	4272 COMP 6"TF NAT SHORT BASE STD LABEL SKID
CH33428	42x72	4272 COMP 6"TF NAT TRIPOD BASE STD LABEL SKID
CH34397	42x72	4272 COMP 6"TF 6"BF BLUE TRIPD STD LABEL SKID
CH33519	42x72	4272 COMP 6"TF 6"BF GRAY TRIPD BASE STD LBL SKID
CH33429	42x72	4272 COMP 6"TF 6"BF NAT TRIPOD STD LABEL SKID
48" PRESSURE VESSELS		
CH33431	48x72	4872 COMP 6"TF NAT SMC BASE STD LABEL SKID
CH33432	48x72	4872 COMP 6"TF NAT TRIPOD BASE STD LABEL SKID
CH33435	48x72	4872 COMP 6"TF 6"BF BLUE TRIPD BASE STD LBL SKID
CH34389	48x72	4872 COMP 6"TF 6"BF MED GRAY TRIPOD BASE STD LABEL SKID
CH33434	48x72	4872 COMP 6"TF 6"BF NAT TRIPOD BASE STD LABEL SKID
CH33433	48x72	4872 COMP 6"TF 6"BF 4"BSF NAT TRIPOD BASE STD LBL SKID
NOTE: If you require additional colors or base options other than listed above, please contact CUSTOMER CARE.		

PART #	DIMENSIONS (DIA. x HEIGHT)	DESCRIPTION
63" PRESSURE VESSELS		
CH33629	63x67	6367 COMP 6"TF 6"BF NAT TRIPOD BASE STD LABEL SKID
CH33827	63x67	6367 COMP 16"MW 6"BF NAT TRIPD BASE STD LBL SKID
CH33437	63x86	6386 COMP 6"TF 6"BF NAT TRIPOD STD LABEL SKID
CH33975	63x86	6386 COMP 6"TF 6"BF BLUE TRIPD BASE STD LABEL SKID
CH33436	63x86	6386 COMP 16"MW 6"BF NAT TRIPD BASE STD LABEL SKID
ASME PRESSURE VESSELS		
CH32563	21x62	2162 ASME 6"TF 6"BF
CH31158	30x72	3072 ASME 6"TF 6"BF
CH32479	36x57	3657 ASME 6"TF 6"BF
CH32718	24x65	2465 ASME 6"TF 6"BF
CH31271	42x72	4272 ASME 6"TF 6"BF
CH31278	48x72	4872 ASME 6"TF 6"BF
CH32462	63x67	6367 ASME 6"TF 6"BF
CH32444	63x86	6386 ASME 6"TF 6"BF
CH31491	63x86	6386 ASME 16"SMW 6"BF 4"TBFS

NOTE: Not all configurations shown. Contact factory for other sizes and configurations. If you require colors or base options other than listed above, contact factory for lead times.



PART #	DIMENSIONS (DIA. x HEIGHT)	DESCRIPTION
--------	-------------------------------	-------------

CT TANKS & RO TANKS

CT TANKS

CH31534-1	16x46	CT-30 QUICK CONNECT
CH31533-1	21x37.5	CT-40SQ QUICK CONNECT
CH31608-1	16x58.75	CT-40 QUICK CONNECT
CH30957-1	21x64.25	CT-80 QUICK CONNECT
CH31057-1	24x73.25	CT-120 QUICK CONNECT

RO TANKS

CH30834	16x26	RO-15
CH30839	16x32	RO-20
CH30853	16x44	RO-30
CH30865	16x57	RO-40
CH34394	24x41.5	RO-60
CH31054	24x55.25	RO-80
CH34395	24x74.25	RO-120

RO REPLACEMENT AIRCELL KITS

CH4989	WM BAG KIT WM-4/WM0060/CPV-15T/RO15 REPL
CH3133-2	WM BAG KIT WM-6/WM0075/CPV-20T/RO20 REPL
CH3134-2	WM BAG KIT WM-9/WM0120/CPV-30T/RO30 REPL
CH3135-2	WM BAG KIT WM-12/WM0150/CPV-40T/RO40 REPL
CH4846	WM BAG KIT WM-20WB/WM0235/CPV-62T/RO60 REPL
CH4467	WM BAG KIT WM-25WB/WM0330/CPV-87T/RO80 REPL
CH4468	WM BAG KIT WM-35WB/WM0450/CPV-119T/RO120 REPL

QUICK-CONNECT ACCESSORIES

CH20520	1" MNPT CONNECTOR NORYL KIT
CH20521	1-1/4" MNPT CONNECTOR NORYL KIT
CH20524	1" & 1-1/4" CONNECTOR PVC SOCKET KIT
CH20370	1" & 1-1/4" CONNECTOR BRASS SWEAT KIT
CH20371	1" & 1-1/2" CONNECTOR BRASS SWEAT KIT
CH20347	HP TOP VENT ADAPTER - QUICK CONNECT KIT
CH31973-1	HP7 / UT30 QUICK CONNECT CUTAWAY
CH20287	HP 7 / WM-HP-110 AVC ASSEMBLY - QC
CH20288	HP 8SQ / WM-HP-150 SQ AVC ASSEMBLY - QC
CH20289	HP 9 / WM-HP-150 AVC ASSEMBLY - QC
CH20290	HP 18 / WM-HP-300 AVC ASSEMBLY - QC
CH20291	HP 26 / WM-HP-450 AVC ASSEMBLY - QC
40576	H-CLIP, PLASTIC
40951	O-RING - 220

PART #	DIMENSIONS (DIA. x HEIGHT)	DESCRIPTION
CH30204	07x44	0744 FRP 2.5”T, 120°F (49°C)
CH30214	07x44	0744 VE 2.5”T, 150°F (65.5°C)
CH30290	08x44	0844 FRP 2.5”T, 120°F (49°C)
CH30306	08x44	0844 VE 2.5”T, 150°F (65.5°C)
CH30351	09x40	0940 FRP 2.5”T, 120°F (49°C)
CH30362	09x40	0940 VE 2.5”T, 150°F (65.5°C)
CH30368	09x48	0948 FRP 2.5”T, 120°F (49°C)
CH30384	09x48	0948 VE 2.5”T, 150°F (65.5°C)
CH30388	10x19	1019 FRP 2.5”T, 120°F (49°C)
CH30403	10x19	1019 VE 2.5”T, 150°F (65.5°C)
CH30416	10x30	1030 FRP 2.5”T, 120°F (49°C)
CH30425	10x30	1030 VE 2.5”T, 150°F (65.5°C)
CH30433	10x35	1035 FRP 2.5”T, 120°F (49°C)
CH30461	10x35	1035 VE 2.5”T, 150°F (65.5°C)
CH30475	10x40	1040 FRP 2.5”T, 120°F (49°C)
CH30492	10x40	1040 VE 2.5”T, 150°F (65.5°C)
CH30507	10x44	1044 FRP 2.5”T, 120°F (49°C)
CH30525	10x44	1044 VE 2.5”T, 150°F (65.5°C)
CH30528	10x47	1047 FRP 2.5”T, 120°F (49°C)
CH30547	10x47	1047 VE 2.5”T, 150°F (65.5°C)
CH30550	10x54	1054 FRP 2.5”T, 120°F (49°C)
CH30581	10x54	1054 VE 2.5”T, 150°F (65.5°C)
CH30619	12x48	1248 FRP 2.5”T, 120°F (49°C)
CH30650	12x48	1248 VE 2.5”T, 150°F (65.5°C)
CH30638	12x48	1248 FRP 4”T, 120°F (49°C)
CH30657	12x48	1248 VE 4”T, 150°F (65.5°C)
CH30670	13x54	1354 FRP 2.5”T, 120°F (49°C)
CH30725	13x54	1354 VE NXS 2.5”T, 150°F (65.5°C)
CH30702	13x54	1354 FRP 4”T, 120°F (49°C)
CH30727	13x54	1354 VE NXS 4”T, 150°F (65.5°C)
CH30749	14x65	1465 FRP 4”T, 120°F (49°C)
CH30786	14x65	1465 VE NXS 4”T, 150°F (65.5°C)
CH30821	16x23	1623 FRP 4”T, 120°F (49°C)
CH30835	16x23	1623 VE NXS 4”T, 150°F (65.5°C)
CH30871	16x65	1665 FRP 4”T, 120°F (49°C)
CH30913	16x65	1665 VE 4”T, 150°F (65.5°C)

* Pricing is configured in a bulk pack with base.
** Pricing is single pack only, bulk pack not available.
NOTE: All tanks ordered with bottom openings should be ordered with the extended base.

PART #	DESCRIPTION
--------	-------------

TANK PARTS

FRP BASE ADDER

CH1287	8" BASE
CH1288	10" BASE
CH14338	12" BASE STD
CH2168-26	12" BASE EXT.
CH14870	13" COMPRESSION
CH2168-27	13" BASE EXT
CH2168-24	14" BASE STD
CH2168-28	14" BASE EXT
CH2168-12	16" BASE STD

CARTON ADDER - MUST BUY 1 & 2 PARTS FOR COMPLETE BOX

Note: List price shown is two (2) cartons combined.

CH2219-1	9" SINGLE
CH2218-1	10" SINGLE
CH2216-1	12" SINGLE
CH2214-1	13" SINGLE
CH2213-1	14" SINGLE
CH2212-1	16" SINGLE

POLYGLASS & COMPOSITE BASES

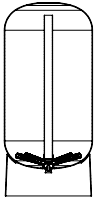
CH4248	BASE 6" COMPRESSION BLACK
CH4108	BASE 7" COMPRESSION BLACK
CH3806	BASE 8" COMPRESSION BLACK
CH3807	BASE 9" COMPRESSION BLACK
CH3808	BASE 10" COMPRESSION BLACK
CH14338	BASE 12" COMPRESSION BLACK
CH14870	BASE 13" COMPRESSION BLACK
CH14871	BASE 14" COMPRESSION BLACK
CH14872	BASE 16" COMPRESSION BLACK
CH3821	BASE 18" SMC(O) STD B-SMC-S21
CH3983	BASE 21" ELLIPT SMC(W) STD B-SMC-L21
CH3981	BASE 21" ELLIPT SMC(W) EXT-SMC-H21
CH3982	BASE 24" ELLIPT SMC(Y) STD B-SMC-L24

PART #	DESCRIPTION
CH3955	BASE 24" ELLIPT SMC(Y) EXT B-SMC-H24
CH3825	BASE 30" SMC EXT B-SMC-X30
CH3826	BASE 36" SMC EXT B-SMC-X36
CH14875	BASE 21" TRIPOD GLOBAL
CH14876	BASE 24" TRIPOD GLOBAL
CH14877	BASE 30" TRIPOD GLOBAL
CH14878	BASE 36" TRIPOD GLOBAL
CH5475	BASE 42" SHORT SMC
CH14879	BASE 42" TRIPOD GLOBAL
CH10559	BASE 48" SHORT SMC
CH14880	BASE 48" TRIPOD GLOBAL
CH11268	BASE 63" TRIPOD LOW HEIGHT 14" CLEARANCE
RUBBER BASES	
RTA-RTB8R	BASE 8" RUBBER BASE
RTA-RTB9R	BASE 9" RUBBER BASE
RTA-RTB10R	BASE 10" RUBBER BASE
CH4066	BASE 12" RUBBER BASE
RTA-RTB14R	BASE 14" RUBBER BASE
RUBBER BUMPERS	
RTA-6B	6" BUMPER BAND
RTA-8B	8" BUMPER BAND
RTA-9B	9" BUMPER BAND
RTA-10B	10" BUMPER BAND
RTA-1175B	12" BUMPER BAND
RTA-14B	14" BUMPER BAND
ACCESSORIES	
CH2751-3	ADA PVC 2.5"-8 TO 0.75"NPT
CH2751-8	ADA PVC 2.5"-8 TO 1.25"NPT
CH2751-4	ADA PVC 2.5"-8 TO 1.5"NPT
CH2751-6	ADA PVC 2.5"-8 TO 2.25"-16UN
CH2751-5	ADA PVC 2.5-8 TO 1"NPT
CH2751-1	CLOS PVC 2.5-8 GRAY
CH4821-1	CLOS CPVC 4"-8 UN K048211
CH4821-6	ADA CPVC 4"-8 TO 1"NPT
CH4821-7	ADA CPVC 4"-8 TO 1.5"NPT

PART #	DESCRIPTION
CH4821-8	ADA CPVC 4"-8 TO 2"NPT
CH4821-11	ADA CPVC 4"-8 TO 2.375" HOLE K482111
CH4821-2	ADA CPVC 4"-8 TO 2.5-8 UN K48212
CH4821-17	ADA CPVC 4"-8 TO 2-11.5"NPSM 2.259/2.268
CH4821-4	ADA CPVC 4"-8 TO 3"-8 UN
CH4125-003	ADA KIT 6"-8 UN TO 3" FNPT FACE SEAL
CH2695-10	ADA CPVC 6"-8UN TO 4"-8UN CHAMFER SEAL
CH10472	ADA KIT 4"S-FLG ACRYLIC SIGHTGLASS COMP W/BOLTS
CH10673	ADA KIT 4"S-FLG CPVC 2"NPT W/BOLTS (EPDM)
CH5276	ADA KIT 4"S-FLG CPVC 3"NPSM W/BOLTS (EPDM)
CH10674	ADA KIT 4"S-FLG CPVC 3"NPT W/BOLTS (EPDM)
CH5259	ADA KIT 4"S-FLG CPVC CLOSURE W/BOLTS (EPDM)
CH10660	ADA KIT 6"FLG CPVC 1.5"NPT W/BOLTS (EPDM)
CH10661	ADA KIT 6"FLG CPVC 2"NPT W/BOLTS (EPDM)
CH10662	ADA KIT 6"FLG CPVC 3"NPT W/BOLTS (EPDM)
CH10663	ADA KIT 6"FLG CPVC 4"NPT W/BOLTS (EPDM)
CH10658	ADA KIT 6"FLG CPVC CLOSURE W/BOLTS (EPDM)
CH5292	ADA KIT 6"FLG NORYL 3"X 3"NPT W/BOLTS/DRAIN (EPDM)
CH5267	ADA KIT 6"FLG NORYL 3"X3"NPT W/BOLTS (EPDM)
CH5295	ADA KIT 6"FLG NORYL 3"X4"-8UN W/BOLTS (EPDM)
CH10566	ADA KIT 6"FLG NORYL 4"-8UN W/BOLTS (EPDM)
CH5296	ADA KIT 6"FLG NORYL CLOSURE (EPDM)
CH10582	ADA KIT 16"MW CPVC 2"NPT W/BOLTS (EPDM)
CH11294	ADA KIT 16"MW CPVC 3"NPT TAP BOTH SIDE W/BOLTS (EPDM)
CH10584	ADA KIT 16"MW CPVC 4"NPT W/BOLTS (EPDM)
CH10108	ADA KIT 16"MW VE WITH AIR RELIEF AND 1/2" BOLT
CH5045	ADA CPVC 3"NPSM X 3"NPT
CH5201	FTG CPVC ELBOW 2"-11.5" NPSM x 2" SLIP GRAY
CH5285	FTG FLEX CONNECTOR 2"NPT X 2"NPT ASSY
CH5286	FTG FLEX CONNECTOR 3"NPT X 3"NPT ASSY
CH10725	FTG VACUUM BREAKER HTHPR 150 PSIG 150 DEG F MAX, 1" FNPT
CH10724	FTG VACUUM BREAKER LTLPN 125 PSIG 120 DEG F MAX, 1.5" MNPT
CH19426	426 VACUUM BREAKER/CHECK VALVE 1/4"
CH6568-2	TOOLS MISC WM WRENCH 5/8 PVC
CH2694-68	FACE SEAL EPDM 2-362 E-1028-70 .210
CH2694-120	O-RING 2" ELBOW

PART #	DESCRIPTION
CH2694-112	O-RING 2.5" NPSM
CH2694-114	O-RING 4" - 8 UN
CH2694-115	O-RING 6" - 8 UN
CH2694-69	O-RING 6" FLANGE
CH2694-132	O-RING 10" FLANGE
CH2694-131	O-RING 16" MANWAY
CH20851	DOME HOLE FUNNEL
CH20882	DOME HOLE PLUG & O-RINGS
CH20652	DOME O-RINGS (2 PER PLUG)
21464	ADA SS SIDE HOLE ASSY 3/4" NPT X 3/4" NPT

DISTRIBUTOR KITS



CH5667

<i>Top Mount 1.5" Riser Port 6 Laterals (Riser Not Included)</i>	
CH5665	DST KIT 14-16" TOP MOUNT HUB & LAT 4" THREAD
CH5666	DST KIT 18" COMP 21" FRP TOP MNT HUB & LAT 4" TH
CH5667	DST KIT 24" FRP TOP MNT HUB & LAT 4" TH
CH10848	DST KIT TOP MNT HUB & LAT W/EXT 30" COMP TK
CH10849	DST KIT TOP MNT HUB & LAT W/EXT 36" COMP TK
<i>Top Mount 3" Riser Port 8 Laterals (Riser not included)</i>	
CH12201	DST KIT 24" COMP TK TOP MNT HUB & LAT 3" PIPE FLOW
CH5672	DST KIT 30" TOP MOUNT HUB & LAT
CH5673	DST KIT 36" COMP 30" FRP TOP MNT HUB & LAT
CH5674	DST KIT 42" COMP 36" FRP TOP MOUNT HUB & LAT
CH5675	DST KIT 48" TOP MOUNT HUB & LAT
CH13492	DST KIT 63" COMP TK TOP MNT HUB & LAT
<i>Top Mount 3" Riser Port 16 Laterals (Riser not included)</i>	
CH15528	DST KIT 30" FRP TOP MNT DBL LAT HIGH FLOW 6" TOP
CH15529	DST KIT 36" FRP TOP MNT DBL LAT HIGH FLOW 6" TOP
CH5676	DST KIT 42" TOP MOUNT DOUBLE LAT HIGH FLOW
CH5677	DST KIT 48" TOP MOUNT DOUBLE LAT HIGH FLOW
CH13569	DST KIT 63" COMP TK TOP MNT HUB & LAT HIGH FLOW
<i>Bottom Mount Hub & Lateral</i>	
CH11790	DST KIT 18" COMP TK BTM MNT HUB & LAT
CH5696	DST KIT 21" BTM MOUNT HUB & LAT 6" THREAD FRP
CH5678	DST KIT 21-24" BTM MOUNT HUB & LAT FLANGED
CH5698	DST KIT 30" BTM MOUNT HUB & LAT 6" THREAD FRP
CH5683	DST KIT 30" BTM MOUNT HUB & LAT LOW FLOW FLG

PART #	DESCRIPTION
CH5699	DST KIT 36" BTM MOUNT HUB & LAT 6" THREAD FRP
CH5684	DST KIT 36" BTM MOUNT HUB & LAT LOW FLOW FLG
CH5686	DST KIT 42-48" BTM MOUNT HUB & LAT
<i>Bottom Mount Hub & Lateral (Threaded Openings)</i>	
CH5668	DST KIT 14-16" COMP 21"FRP BTM MNT H&L 4"TH
CH5669	DST KIT 18-21" COMP 24"FRP BTM MNT H&L 4"TH
CH5670	DST KIT 24" BTM MOUNT HUB & LAT 4" THREAD
CH11039	DST KIT 30" COMP TANK BTM MNT HUB & LAT SYSTEM
CH11040	DST KIT 36" COMP TANK BTM MNT HUB & LAT SYSTEM
<i>Top Mount Diffusers & Hub & Laterals</i>	
CH5671	DST KIT 12-36" COMP 12-36" FRP TOP DIFF 4"T
CH5679	DST KIT 18-48" TOP STACK DIFFUSOR 6" FLANGE
CH5700	DST KIT 21-36" TOP STACK DIFFUSOR 6" THREAD FRP
CH5688	DST KIT 14-16" TOP MOUNT HUB & LAT 4" THREAD FRP
CH11851-2	DST Kit 30"-48" TOP STACK DIFFUSE HS FLOW
CH5680-1	DST KIT 21"-24" COMP TK TOP STACK DIFF HIGH FLOW
CH5680-2	DST KIT 30"-63" COMP TK TOP STACK DIFF HIGH FLOW
CH10877	DST KIT 30"-63" TK 16"MW TOP STACK DIFF W/3"NPT
<i>Bottom Mount High Flow Hub & Laterals</i>	
CH11892	DST KIT 36" COMP TK 6"FLG BTM MNT HUB&LAT HI FLOW
CH11663	DST KIT 42" COMP TK BTM MNT HUB & LAT HIGH FLOW
CH11665	DST KIT 48" COMP TK BTM MNT HUB & LAT HIGH FLOW
CH14248	DST KIT 63" COMP TK BTM MNT HUB & LAT - HIGH FLOW
<i>Bottom Mount High Flow Hub & Laterals</i>	
CH11190	DST KIT 63X86 COMBO TOP&BTM SNGL SIDE CONN
CH11191	DST KIT 63X86 COMBO TOP&BTM DUAL SIDE CONN
CH11193	DST KIT 63X116 COMBO TOP&BTM DUAL SIDE CONN
CH11195	DST KIT 63X144 COMBO TOP&BTM DUAL SIDE CONN
CH5687	DST KIT 63" FISHBONE BTM DIST SYSTEM
<i>Side Mount Diffusers & Hub & Laterals</i>	
CH10985	DST KIT 42" COMP TANK SIDE MOUNT TOP DIFF W/4" SIDE FLANGE
CH11093	DST KIT 42" COMP TANK SIDE MOUNT BTM HUB & LATERAL w/4" SIDE FLANGE
CH10990	DST KIT 48" COMP TANK SIDE MOUNT TOP DIFF W/4" SIDE FLANGES
CH11094	DST KIT 48" COMP TANK SIDE MOUNT BTM HUB & LATERAL W/4" SIDE FLANGE

PART #	DESCRIPTION
--------	-------------

DI-DST RISER

2.5" MANIFOLDS

<i>2.5" Manifold, Vertical Inlet/Outlets, No Fill Port</i>	
X-PI25-2-OR	PI25-2 w/ORING
<i>2.5" Manifold, Horizontal Inlet/Outlet</i>	
X-WPCH-100	ASY WPCH-100 W/ORING (1" IN/OUT, 1" RISER PORT NO BASKET)
X-WPCH-100BAS	ASSEMBLY 1 CR BASKET (1" IN/OUT, 1" RISER PORT & BASKET)
X-WPCH-50-BAS	1/2 CTR.RISER W/BAS & OR (3/4" IN/OUT, 1/2" RISER PORT & BASKET)
X-WPCH-81	TOP HEAD 3/4 CTR 13/16 (3/4" IN/OUT 13/16" RISER; NO BASKET)
<i>2.5" Manifold, Vertical Inlet/Outlets</i>	
X-PI25-3-OR	PI25-3 ORING; NO INLET SCREEN
X-PI25-3-IS-OR	MANIFOLD PI25-3 W/O-RING INLET SCREEN 1/2" RISER
X-PI25-3-81-IS-2OR	ASY PI25-3 13/16 INLET SCREEN 2 ORINGS
X-PI25-3-81-IS-OR	MANIFOLD PI25-3 W/O-RING INLET SCREEN 13/16" RISER
<i>2.5" Manifold, Horizontal Inlet/Outlet, Fill Port</i>	
XWPE-50-IS	ASSY:WPE-50 HEAD W/IS
XWPE-81-IS	ASSY:WPE W/IS FOR 13/16

RISER/BASKET ASSEMBLIES

X-DS100-100-1550	DST/RISER 1"PVC 8X18 ABS TK 15.5"LG W/RTA-DS100	
X-DS100-100-6138	DST/RISER 1"PVC 16X65 PE TK 61.38"LG W/RTA-DS100	
X-DS190-50-0850	DST/RISER 1/2"PVC 6X13 PE TK 8.5"LG	
X-DS190-50-1550	DST/RISER 1/2"PVC 8X18 ABS TK 15.5"LG	
X-DS190-50-3150	DST/RISER 1/2"PVC 6x35-10x35 PE TK 31.5"LG	
X-DS190-50-3800	DST/RISER 1/2"PVC 12X42 PE TK 38"LG	
X-DS190-50-4100	DST/RISER 1/2"PVC 08X44 PE TK 41"LG	
X-DS190-50-5125	DST/RISER 1/2"PVC 10X54 ABS TK 51.25"LG	
X-DS190-81-1575	DST/RISER 13/16" PVC 8X18 ABS TK 15.75"LG	
X-DS190-81-3200	DST/RISER 13/16" PVC 6X35 7X358X35, 10X35 ABS TK 32"LG	
X-DS190-81-3900	DST/RISER 13/16" PVC 9X42 ABS TK 39"LG	
X-DS190-81-4100	DST/RISER 13/16" PVC 8X44 ABS TK 41"LG	
X-DS190-81-4500	DST/RISER 13/16" PVC 9x48 PE TK 45"LG	
X-DS190-81-5100	DST/RISER 13/16" PVC 10X54 ABS TK 51"LG	
X-DS190-81-6175	DST/RISER 13/16" PVC 1465/1665 PE TK 61.75" LG	
60795-00	DISTRIBUTOR ASSY, 1.05" STD GRAY .011, W/72" TUBE	12/CT

PART #	DESCRIPTION	
60795-01	DISTRIBUTOR ASSY, 1.05" WIDE WHITE .020, W/72" TUBE	12/CT
60795-02	DISTRIBUTOR ASSY, 1.05" NARROW RED .008, W/72" TUBE	12/CT
60795-10	DISTRIBUTOR ASSY, 1.05" STD, HW BLACK .011, W/72" TUBE	12/CT
60795-11	DISTRIBUTOR ASSY, 1.05" WIDE HW BLACK .020, W/72" TUBE	12/CT
60795-12	DISTRIBUTOR ASSY, 1.05" NARROW HW, BLACK .008, W/72" TUBE	12/CT
13851	DISTRIBUTOR ASSY, 1.05", LOWER, GRAY	24/CT
13851-01	DISTRIBUTOR ASSY, 1.05", LOWER, WHITE WIDE SLOT	24/CT
13851-02	DISTRIBUTOR ASSY, 1.05", LOWER, RED NARROW SLOT	24/CT
13851-10	DISTRIBUTOR ASSY, 1.05", LOWER, HW	24/CT
13851-11	DISTRIBUTOR ASSY, 1.05", LOWER HOT WATER, WIDE SLOT	24/CT
13851-12	DISTRIBUTOR ASSY, 1.05", LOWER HOT WATER, NARROW SLOT	24/CT
60792-02	DISTRIBUTOR ASSY, 13/16" NARROW RED .008, W/60" TUBE	12/CT
60792-12	DISTRIBUTOR ASSY, 13/16" NARROW HW, BLACK .008, W/60" TUBE	12/CT
60792-00	DISTRIBUTOR ASSY, 13/16" STD GRAY .011, W/60" TUBE	12/CT
60792-10	DISTRIBUTOR ASSY, 13/16"STD, H/W BLACK.011, W/60" TUBE	12/CT
13850	DISTRIBUTOR ASSY, 13/16", LOWER GRAY	24/CT
13850-02	DISTRIBUTOR ASSY, 13/16", RED NARROW SLOT	24/CT
13850-10	DISTRIBUTOR ASSY, 13/16", LOWER HOT WATER	24/CT
40922	DISTRIBUTOR, 1.05", SIATA®	24/CT
40924	DISTRIBUTOR, 32MM, SIATA	24/CT
61580	TUBE, 72" & DISTRUBUTOR ASSY, HF32MM, HIGH FLOW	12/CT

4.5" MANIFOLDS

XTA-45-2	MANIFOLD ASSY: 1" NPT IN/OUT
XTA-45-3-1/SS	XTA-45-3-1/SS (1" IN/OUT/FILL, STAINLESS RINGS)
XTA-45-3-1-IS	XTA-45-3-1 W/OR45 ISF (1" IN/OUT/FILL, INLET SCREEN)
XTA-45-3	HEAD ASSY:3 HOLE.NO SCRIN (1" IN/OUT, 1 7/16" FILL)
XTA-45-3-IS	XTA-45-3 W/ INLET SCREEN
XTA-45-3IS-SS	XTA-45-3 W/INLET SCREEN & SS RINGS

RISER/BASKET ASSEMBLIES

X-DDS4-100-3825	DST/RISER 1" PVC 12X42 TK 38.25"LG
X-DDS4-100-4300	DST/RISER 1" PVC 14X47 TK 43.0"LG
X-DDS4-100-4900	DST/RISER 1" PVC 12X52 TK 49.0"LG
X-DS4-100-4400	DST/RISER 1" PVC 14X47 TK 44.0"LG

PART #	DESCRIPTION
MANIFOLD COMPONENTS	
RTA-DS4	DS-4 DIST. SCREEN
RTA-DS100	STACKED OUTLET SCREEN 1.0
RTA-FC188	FILLCAP:XTA-45-3
RTA-FC75WPE-WT	CAP:XWPE WHITE W/O-RING
RTA-PLUG-UN	DUST PLUG QD UNION W/O-RING
RTA-IS60-7	3/4" DROP IN INLET SCREEN
RTA-DDS4	DDS-4 DIST. SCREEN
RTA-DS190-75	DS190 SCREEN: 3/4
RTA-FC75PI	FILLCAP:XPI-3 W/O-RING
RTA-IDF	ID-F INLET DIFFUSER
RTA-DDS4-150SE	DDS-4-150SE SCREEN
RTA-DS190-81	DS190 SCREEN 13/16 TUBE
RTA-FC75WPE-BLK	WPE FILL CAP 3/4 BLACK
RTA-ISF	IS-F INLET SCREEN
RTA-CAP-MA	QD UNION DUST CAP
RTA-UMA-100	1" ADAPTER UNION
RTA-MA100	ADAPTER 1" MALE NPT K QD W/ O-RING
RTA-UHB100	1" HOSE BARB UNION
RTA-HB100	ADAPTER 1" HOSE BARB X QD W/O-RING
RTA-UMA-75	ADAPTER 1" MALE NPT X QD UNION
RTA-UHB75	3/4" HOSE BARB UNION
RTA-MA75	ADAPTER 3/4" MALE NPT X QD W/O-RING
RTA-HB75	ADAPTER 3/4" HOSE BARB X QD W/O-RING

PART #		DESCRIPTION
BRINE TANKS		
11X34 BRINE TANKS		
CH33957		1134 BLK BRINE TANK & COVER 4-PACK
CH34281		1134 BLUE BRINE TANK & COVER 4-PACK
CH34161		1134 ALM BRINE TANK & COVER 4-PACK CTN
34693		1134 BLK BRINE TANK & COVER SINGLE
11X34 ACCESSORIES		
CH15675		BRN TUBE ASSY W/ELBOW AND NUT BRINE TUBE 31.38"LG
CH16300		C1134-4 GRID W(3) FOR BT1134
CH16086		BT1134-2HC BK COVER BLACK MOLDED
14X34 BRINE TANKS		
34618		1434 ALM BRINE TANK DRILLED & COVER 5-PK
34619		1434 BLK BRINE TANK DRILLED & COVER 5-PK
34620		1434 BLUE BRINE TANK DRILLED & COVER 5-PK
CH33458		1434 BLK BRINE TANK & COVER 5-PACK
CH33897		1434 ALM BRINE TANK & COVER SINGLE
CH34282		1434 BLUE BRINE TANK/COVER 5-PACK
34696		1434 BLK BRINE TANK & COVER SINGLE
34695		1434 ALM BRINE TANK & COVER 5-PACK
34698		1434 ALM BRINE TANK BLK INJ MOLDED COVER 5-PACK
14X34 ACCESSORIES		
CH15675		BRN TUBE ASSY 1134,1434,1833,1835
CH16359		C1634-4 GRID PLATE 1-PC 4.25"HOLE
CH16124		BT1434-2IT BK INJ MOLDED COVER BLACK TEXTURED
18" ROUND BRINE TANKS		
CH33454	18x33	1833 BLK BRINE TANK & COVER SINGLE CTN
CH34283	18x33	1833 BLUE BRINE TANK & COVER WHITESINGLE CTN
CH34356	18x33	1833 ALM BRINE TANK & COVER SINGLE CTN
CH33456	18x33	1833 BLK BRINE TANK ASSY NO GRID
34622	18x33	1833 ALM BRINE ASSY NO GRID
34624	18x33	1833 BLK BRINE ASSY W/GRID
34626	18x33	1833 BLUE BRINE ASSY W/GRID
34623	18x33	1833 ALM BRINE ASSY W/GRID
34630	18x35	1835 BLK BRINE ASSY W/GRID
34758	18x40	1840 BLK BRINE TK & CVR

PART #	DIMENSIONS (DIA. x HEIGHT)	DESCRIPTION
CH34284	18x40	1840 BLUE BRINE TANK & COVER SINGLE CTN
CH34354	18x40	1840 ALM BRINE TANK & COVER SINGLE CTN
CH33457	18x40	1840 BLK BRINE ASSY NO SALT SHELF W/SH
CH34101	18x40	1840 BLK BRINE ASSY W/GRID

18" BRINE ACCESSORIES

CH15675		BRN TUBE ASSY 1134,1434,1833,1835
CH15676		BRN TUBE ASSY 1840
CH16347		C1625PB 1-PC GRID PLATE WITH 4-1/8" HOLE
CH16182		18" ROUND INJ MOLDED TEXTURED BLACK COVER
CH15013-1		BRN TUBE 4.12"DIA X 31.38"LG 1833 BRINE TK

PART #	DESCRIPTION
--------	-------------

AIR CHECKS

60009-00	AIR CHECK, #900, COMMERCIAL, 5-FOOT TUBE, LESS FITTINGS
60009-01	AIR CHECK, #900, COMMERCIAL, HW, 70-INCH TUBE, LESS FITTINGS
60002-27	AIR CHECK, #500, 27" LONG TUBE
60002-34	AIR CHECK, #500, 34" LONG TUBE
60002-36	AIR CHECK, #500, 36" LONG TUBE
60002-48	AIR CHECK, #500, 48" LONG TUBE
60019	Brine Intake Screen, 24" Long Tube (for 255 Valves)
60003-34	AIR CHECK, #500, HW, 34" TUBE WAS 60003

COMMERCIAL BRINE TANKS

CH33053	24x40	2440 BRINE TANKK BLACK W/COVER
CH33042	24x48	2448 BRINE TANK BLACK W/COVER
CH33054	24x54	2454 BRINE TANK BLACK W/COVER
CH33044	30x48	3048 BRINE TANK BLACK W/COVER
CH33045	30x60	3060 BRINE TANK BLACK W/COVER
CH33046	39x48	3948 BRINE TANK BLACK W/COVER
CH33047	39x60	3960 BRINE TANK BLACK W/COVER
CH33048	42x60	4260 BRINE TANK BLACK W/COVER
CH33049	50x60	5060 BRINE TANK BLACK W/COVER

COMMERCIAL ACCESSORIES

CH16305		C1611-AA BRINE WELL SLOTTED 4"X 32"
CH17031		BRN GRID 24" INJECTION MOLDED
CH17032		C10590 4"X36"-1/8" BRINE WELL / BT2440
CH19478		BRINE WELL 4"X48" SLOTTED

PART #	DIMENSIONS (DIA. x HEIGHT)	DESCRIPTION
--------	-------------------------------	-------------

CABINETS

SOFTFLO FULL CABINET ASSEMBLY

Includes SoftFlo cover assembly, mineral tank, brine well, air check, safety brine valve, safety float, overflow

CH15288-1	SOFT CABINET 10X35 FULL ASSY W/FACEPLATE WHITE
CH15289-1	SOFT CABINET 10X35 FULL ASSY NO FACEPLTE WHITE

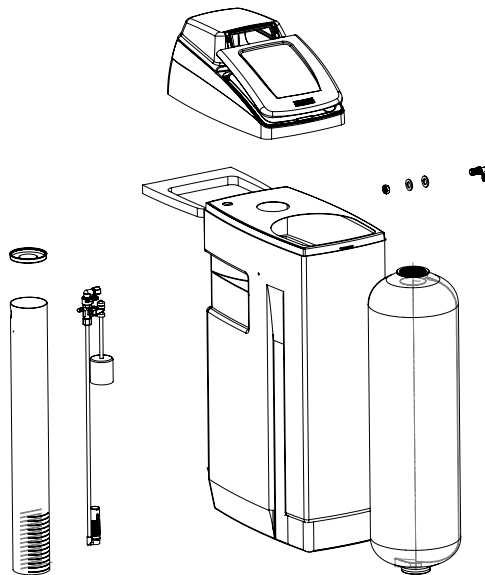
SoftFlo Assembly

No Tank (Sgl pk), includes SoftFlo cover assembly.

CH15135-1	SOFT CAB & COVER 1-C GRAY 35"SOFT-FLO G1
-----------	--

SoftFlo Parts And Accessories

CH14900-10	SOFTFLO CABINET BASE ONLY
CH15077	SOFTFLO CABINET COVER ONLY
CH15024	BRN CAP 4.06 DIA. WHITE 18"BRINE TKS





13845 Bishops Dr. | Suite 200 | Brookfield, WI 53005 | United States
P: 262.238.4400 | Customer Care: 800.279.9404 | tech-support@pentair.com

§For a detailed list of where Pentair trademarks are registered, please visit waterpurification.pentair.com/brands. Pentair trademarks and logos are owned by Pentair plc or its affiliates. Third party registered and unregistered trademarks and logos are the property of their respective owners.

© 2018 Pentair Residential Filtration, LLC. All rights reserved.

4005110 REV L NV18