



AUTOTROL 2019 PARTS LIST

waterpurification.pentair.com

TABLE OF CONTENTS

- AUTOTROL[®] RESIDENTIAL VALVES & CONTROLS..... 5**
- PERFORMA CONDITIONER & FILTER VALVES & CONTROLS 7**
- 360 VALVE.....10**
- ACCESSORIES10**
- LOGIX REPLACEMENT PARTS 13**
- REPLACEMENT PARTS 17**
- COMMERCIAL AND INDUSTRIAL PRICE LIST 32**
- PERFORMA Cv SERIES ORDERING INFORMATION 33**
- 255 TWIN AND MULTI-SINGLE TANK WITH LOGIX 764 CONTROLS..... 33**
- PERFORMA TWIN & MULTI-SINGLE TANK W/LOGIX 764 CONTROLS..... 34**
- MAGNUM LOGIX - NORTH AMERICA 35**
- COMMERCIAL AND INDUSTRIAL PARTS AND ACCESSORIES..... 37**
- PARTS LISTING SORTED BY PART NUMBER 51**

PART #	DESCRIPTION	BACK-WASH	INJECTOR	TANK SIZE (IN)
--------	-------------	-----------	----------	----------------

RESIDENTIAL VALVES & CONTROLS

255 VALVE - 740/760 LOGIX CONTROL

<i>255 Valve/740 Logix Time Clock Controller, North America</i>				
1242650		None	G	8
1242651		None	H	9
1242672		None	J	10
1242677	255 Valve, 740 Logix Controller N. America, 0.33 gpm Refill Control, 1/4" Sight Glass Air Check, 12 Volt AC Adapter, English Language, No Cover, Packaged 4 Valves Per Carton	8	G	8
1242678		9	H	9
1242524		10	J	10
1242679		12	K	12
1242680		13	L	13
<i>255 Valve/760 Logix Demand Controller - North America</i>				
1242684		None	G	8
1242685		None	H	9
1242686		None	J	10
1242691	255 Valve, 760 Logix Controller N. America, 0.33 gpm Refill Control, 1/4" Sight Glass Air Check, 12 Volt AC Adapter, English Language, No Cover, Packaged 4 Valves Per Carton	8	G	8
1242692		9	H	9
1242526		10	J	10
1242693		12	K	12
1242694		13	L	13
<i>255 Valve/740 Logix Time Clock Controller, No Air Check Or Air Check Adapter - North America</i>				
1242699	255 Valve, 740 Logix Controller N. America, 0.33 gpm Refill Control, 12 Volt AC Adapter, English Language, No Cover, Packaged 4 Valves Per Carton	None	H	9
<i>255 Valve/760 Logix Demand Controller, No Air Check Or Air Check Adapter - North America</i>				
1242714	255 Valve, 760 Logix Controller N. America, 0.33 gpm Refill Control, 12 Volt AC Adapter, English Language, No Cover, Packaged 4 Valves Per Carton	None	G	8
1242663		None	H	9
1242664		None	J	10
<i>K255 Valve Top Module/740 Logix Time Clock Controller - North America</i>				
1242621	K255 Valve Top Module, 740 Logix Controller N. America, 0.33 gpm Refill Control, 12 Volt AC Adapter, English Language, No Cover, Packaged 4 Valves Per Carton	None	G	8
1242632		9	H	9
1242633		10	J	10
1242634		12	K	12

PART #	DESCRIPTION	BACK-WASH	INJECTOR	TANK SIZE (IN)
<i>K255 Valve Top Module/760 Logix Demand Controller - North America</i>				
1244836	K255 Valve Top Module, 760 Logix Controller N. America, 0.33 gpm Refill Control, 12 Volt AC Adapter, English Language, No Cover, Packaged 4 Valves Per Carton, No Turbine	None	J	10
1244842		9	H	9
253 VALVE - 740F/760F LOGIX CONTROL				
<i>253 Filter Valve/740F Logix Time Clock Controller - North America</i>				
1242605	253 Filter 3-Cycle Valve, 740F Logix Controller N. America, Plugged Refill Control, 12 Volt AC Adapter, English Language, No Cover, Packaged 4 Valves Per Carton	None	E	6
1242610		14	J	10
255 VALVE - 742/762 PROFESSIONAL SERIES CONTROLLERS				
<i>255 Valve/742 Logix Time Clock Controller - North America</i>				
1269751	255 Valve, 742 Logix Controller N. America, 0.33 gpm Refill Control, 1/4" Sight Glass Air Check, 12 Volt AC Adapter, English Language, No Cover, Packaged 4 Valves Per Carton	8	G	8
1268292		10	J	10
1269763		12	K	12
<i>255 Valve/762 Logix Demand Controller - North America</i>				
1269768	255 Valve, 762 Logix Controller N. America, 0.33 gpm Refill Control, 1/4" Sight Glass Air Check, 12 Volt AC Adapter, English Language, No Cover, Packaged 4 Valves Per Carton	8	G	8
1267031		9	H	9
1268727		10	J	10
1269769		12	K	12
1269771		14	L	14
<i>K255 Valve Top Module/742 Logix Time Clock Controller - North America</i>				
1269775	K255 Valve Top Module, 742 Logix Controller N. America, 0.33 gpm Refill Control, 12 Volt AC Adapter, English Language, No Cover, Packaged 4 Valves Per Carton	9	H	9
<i>K255 Valve Top Module/762 Logix Demand Controller - North America</i>				
1268300	K255 Valve Top Module, 762 Logix Controller N. America, 0.33 gpm Refill Control, 12 Volt AC Adapter, English Language, No Cover, Packaged 4 Valves Per Carton	10	J	10

PART #	DESCRIPTION	BACK-WASH	INJECTOR	TANK SIZE (IN)
--------	-------------	-----------	----------	----------------

PERFORMA CONDITIONER & FILTER VALVES & CONTROLS

268 PERFORMA VALVE - 740/760 LOGIX CONTROL

268 Performa Valve/740 Logix Time Clock Controller - North America

1242726		None	F	7
1242728		None	H	9
1242729		None	J	10
1242731		None	L	13 & 14
1242732	268 Performa Valve, 740 Logix Controller N. America, 0.33 gpm Refill Control, 12 Volt AC Adapter, English Language, No Cover, Packaged 4 Valves Per Carton	6	E	6
1242735		9	H	9
1242493		10	J	10
1242736		12	K	12
1242738		13	L	13
1242741		14	L	14

268 Performa Valve/760 Logix Demand Controller - North America

1242766		None	G	8
1242659		None	H	9
1242767		None	J	10
1242768	268 Performa Valve, 760 Logix Controller N. America, 0.33 gpm Refill Control, 12 Volt AC Adapter, English Language, No Cover, Packaged 4 Valves Per Carton	None	K	12
1242769		None	L	13 & 14
1242468		9	H	9
1242469		10	J	10
1242470		12	K	12
1242774		14	L	14

PART #	DESCRIPTION	BACK-WASH	INJECTOR	TANK SIZE (IN)
263 FILTER PERFORMA VALVE - 740F/760F LOGIX CONTROL				
<i>263 Performa Filter Valve/740F Logix Time Clock Controller - North America</i>				
1242471		None	E	6
1255183		None	J	10
1255185		None	L	13 & 14
1255189		Capped**	F	7
1255191		Capped**	H	9
1242614		Capped**	J	10
1255192	263 Performa 3-Cycle Filter Valve, 740F Logix Controller N. America, Plugged Refill Control, 12 Volt AC Adapter, English Language, No Cover, Packaged 4 Valves Per Carton	Capped**	K	12
1255193		Capped**	L	13 & 14
1255384		Capped**	N	16
1255195		Capped**	R	21
1242616		10	F	7
1242617		12	G	8
1242618		13	H	9
1242619		14	J	10
<i>** Must be used with external flow control or replaced with internal flow control, 09 through 14.</i>				
268 FA PERFORMA VALVE - 740/760 LOGIX CONTROL				
<i>268 FA Performa Valve/740 Logix Time Clock Controller - North America</i>				
1242601	268 FA 5-Cycle Performa Valve, 740 Logix Controller N. America, Capped Refill Control, 12 Volt AC Adapter, English Language, No Cover, Packaged 4 Valves Per Carton	14	J	10
<i>** Must be used with external flow control or replaced with internal flow control, 09 through 14.</i>				
<i>268 FA Performa Valve/760 Logix Demand Controller - North America</i>				
1244779	268 FA 5-Cycle Performa Valve, 760 Logix Controller N. America, Capped Refill Control, 12 Volt AC Adapter, English Language, No Cover, Packaged 4 Valves Per Carton	None	J	10
268 PERFORMA VALVE - 742/762 PROFESSIONAL SERIES CONTROLLERS				
<i>268 Performa Valve/742 Logix Time Clock Controller - North America</i>				
1269815		9	H	9
1268294	268 Performa Valve, 742 Logix Controller N. America, 0.33 gpm Refill Control, 12 Volt AC Adapter, English Language, No Cover, Packaged 4 Valves Per Carton	10	J	10
1269816		12	K	12
1269817		13	L	13
1269818		14	L	14

PART #	DESCRIPTION	BACK-WASH	INJECTOR	TANK SIZE (IN)
<i>268 Performa Valve/762 Logix Demand Controller - North America</i>				
1267998		8	G	8
1267450		9	H	9
1267448	268 Performa Valve, 762 Logix Controller N. America, 0.33 gpm Refill Control, 12 Volt AC Adapter, English Language, No Cover, Packaged 4 Valves Per Carton	10	J	10
1269821		12	K	12
1269822		13	L	13
1267449		14	L	14
<i>268 FA Performa Valve/742 Logix Time Clock Controller - North America</i>				
1269827	268 FA 5-Cycle Performa Valve, 742 Logix Controller N. America, Capped Refill Control, 12 Volt AC Adapter, English Language, No Cover, Packaged 4 Valves Per Carton	14	J	10
263 PERFORMA FILTER VALVE - 742F/762F PROFESSIONAL SERIES CONTROLS				
<i>263 Performa Filter Valve/742F Logix Time Clock Controller - North America</i>				
1269833		9	E	6
1269834	263 Performa 3-Cycle Filter Valve 742F Logix Controller N. America, Plugged Refill Control, 12 Volt AC Adapter, English Language, No Cover, Packaged 4 Valves Per Carton	10	F	7
1269835		12	G	8
1269836		13	H	9
1269837		14	J	10
<i>263 Performa Filter Valve/762F Logix Demand Controller - North America</i>				
1269839	263 Performa 3-Cycle Filter Valve, 762F Logix Controller N. America, Plugged Refill Control, 12 Volt AC Adapter, English Language, No Cover, Packaged 4 Valves Per Carton	12	G	8
1269841		14	J	10
K255 TOP MODULES / 460i DEMAND CONTROLLER				
<i>K255 Valve Top Module/460i Demand Control</i>				
1050724		B	None	B
1050728	255 Valve Top Module, 460i Control, 120V Transformer, English Language, CSA Approved, Packaged 4 Valves Per Carton, Shipping Weight 28 lb.	B	8	B
1050729		B	9	B
1050730		B	10	B
1050731		B	10	C
PERFORMA CONDITIONER VALVE / 460i DEMAND CONTROLLER				
<i>Performa Conditioner Valve/460i Demand Control</i>				
1053256		B	0	B
1053259	268 Valve, 460i Control, 120V Transformer, Internal Turbine, English Language, No Cover, Packaged 4 Valves Per Carton, Shipping Weight 31 lb.	B	9	B
1053260		B	10	B
1053261		B	10	C

ACCESSORIES ITEM #	PART #	DESCRIPTION	PRICE (\$) PER UNIT
1			
2			
3			
4			
5			
6			
7			
8			
9			

360 VALVE

360 VALVE

363 Automatic Filter Valve

4002436 363 / Black / No Transformer / TC or Meter / Universal

ACCESSORIES

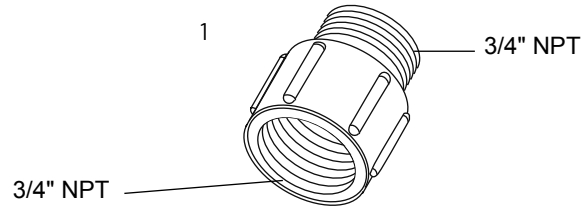
Meter Adapter, 255 Valve

1	1032350	Kit, Meter Adapter (Includes Hardware)
2	1040524	Meter Install Kit

Piping Boss, 255 Valve

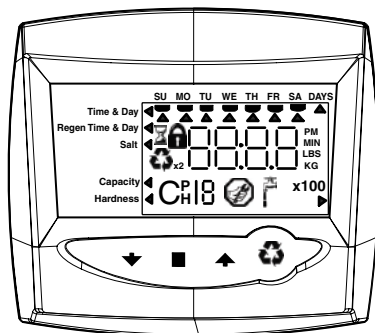
Piping Boss Kit for 255 Valve (includes Hardware)		
3	3023763	3/4-inch NPT, S.S. 3/8-inch NPT Drain
	3023749	1-inch NPT, S.S. 1/2-inch NPT Drain
	3023761	3/4-inch BSPT, S.S. 3/8-inch BSPT Drain
	1040279	3/4-inch NPT, Noryl 1/2-inch NPT Drain
	1040283	3/4-inch BSPT, Noryl 1/2-inch BSPT Drain
	1234254	1" MNPT Male Manifold Kit
	1234257	3/4" MNPT Male Manifold Kit with Turbine

ITEM #	PART #	DESCRIPTION
<i>Turbine Meter Kits (Includes install mounting kit)</i>		
	1234257	Turbine Meter/Piping Boss Manifold Kit - 3/4" x 1/2" Male NPT - Plastic
4	1040339	Piping Boss Installation Kit (Used with #6)
5	1040769	256 Bypass Body Assembly with Install Kit (Used on any 253 or 255 Valves)
6	1040524	256 Bypass Installation Kit
	1034301	Bypass Repair Kit, 1 Rotor, 2 Seals, 1 Clip
	1034302	Bypass Repair Kit, 2 Rotors, 2 Seals, 2 Clips
	1034303	Rotor Clips (24 pack)
7	1040930	1265 Bypass Assembly (Used with all Performa Valves)
8	1040021	Turbulator Backwash Kit (Riser Not Included)
<i>Tube Adapter Kits (Used with 256, 1265 Bypass Valves and all Performa Valves)</i>		
9	1001606	3/4-inch Copper Tube Adapter Kit
	1001670	1-inch Copper Tube Adapter Kit
	1041210	1-1/4-inch Copper Tube Adapter Kit
	1001608	22-mm Copper Tube Adapter Kit
	1001613	3/4-inch CPVC Tube Adapter Kit
	1001614	1-inch CPVC Tube Adapter Kit
	1001615	25-mm CPVC Tube Adapter Kit
	1001769	3/4-inch NPT Plastic Pipe Adapter Kit
	1001603	1-inch NPT Plastic Pipe Adapter Kit
	1001604	3/4-inch BSPT Plastic Pipe Adapter Kit
	1001605	1-inch BSPT Plastic Pipe Adapter Kit
	3023824	3/4-inch BSPT S.S. Pipe Adapter Kit
	3023828	1-inch NPT S.S. Pipe Adapter Kit
	3023807	1-inch BSPT S.S. Pipe Adapter Kit
	1030541	Gasket
	1034385	Nut for All Tube Adapters
	1030540	3/4" Copper Tube Adapter
	1030545	1" Copper Tube Adapter
	1030368	1-1/4" Copper Tube Adapter
	1030578	3/4" CPVC Connector
1030579	1" CPVC Connector	
1000982	3/4" NPT Plastic Pipe Adapter	
1001522	1" NPT Plastic Pipe Adapter	
3013736	1" BSPT Stainless Steel Pipe Adapter	
3013737	3/4" BSPT Stainless Steel Pipe Adapter	



ITEM #	PART #	DESCRIPTION
EXTERNAL DRAIN LINE FLOW CONTROLS		
1	1264268	1.3 gpm - 7" tank
	1264270	2.1 gpm - 9" tank
	1264271	2.7 gpm - 10" tank
	1264402	3.8 gpm - 12" tank
	1264403	4.5 gpm - 13" tank
	1264404	5.3 gpm - 14" tank
	1030355	5 gpm DLFC
	1030356	6 gpm DLFC
	1030357	7 gpm DLFC
	1030358	8 gpm DLFC
	1030359	9 gpm DLFC
	1030360	10 gpm DLFC
	1000406	12 gpm DLFC
	1000407	15 gpm DLFC
1000409	20 gpm DLFC	

LOGIX CONTROLS



ITEM #	PART #	DESCRIPTION
--------	--------	-------------

LOGIX REPLACEMENT PARTS

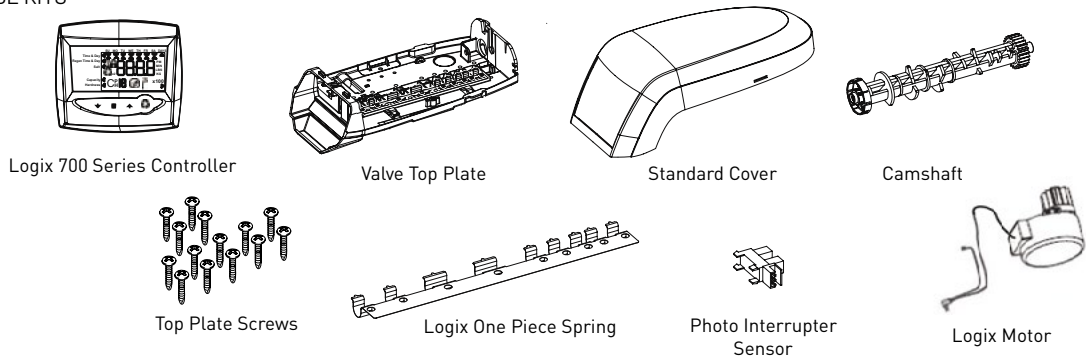
North American

1242146	Logix 740 Control with Conditioner Faceplate Overlay - English, 60 Hz
1242148	Logix 740F Control with Filter Faceplate Overlay - English, 60 Hz
1242163	Logix 760 Control with Conditioner Faceplate Overlay - English, 60 Hz
1242166	Logix 760F Control with Filter Faceplate Overlay - English, 60 Hz
1242150	Logix 742 Control with Conditioner Faceplate- English, 60 Hz
1242162	Logix 742F Control with Filter Faceplate Overlay - English, 60 Hz
1242168	Logix 762 Control with Conditioner Faceplate Overlay - English, 60 Hz
1242170	Logix 762F Control with Filter Faceplate Overlay - English, 60 Hz
3022004	764 N. American, Conditioner Faceplate - English, 60 Hz
3022005	764 N. American, Filter Faceplate - English, 60 Hz

World

1242171	740 World, English Overlay, 50/60 Hz
1242149	740F World, English Overlay, 50/60 Hz
1242164	760 World, English Overlay, 50/60 Hz
1242151	742 World, English Overlay, 50/60 Hz
1265829	742F World, English Overlay, 50/60 Hz
1242169	762 World, English Overlay, 50/60 Hz
1265831	762F World, English Overlay, 50/60 Hz
3022346	764 World, Conditioner Faceplate - English, 50/60 Hz
3022347	764 World, Filter Faceplate - English 50/60 Hz

LOGIX UPGRADE KITS



Upgrade kits include all parts needed to convert to Logix Series Controls.

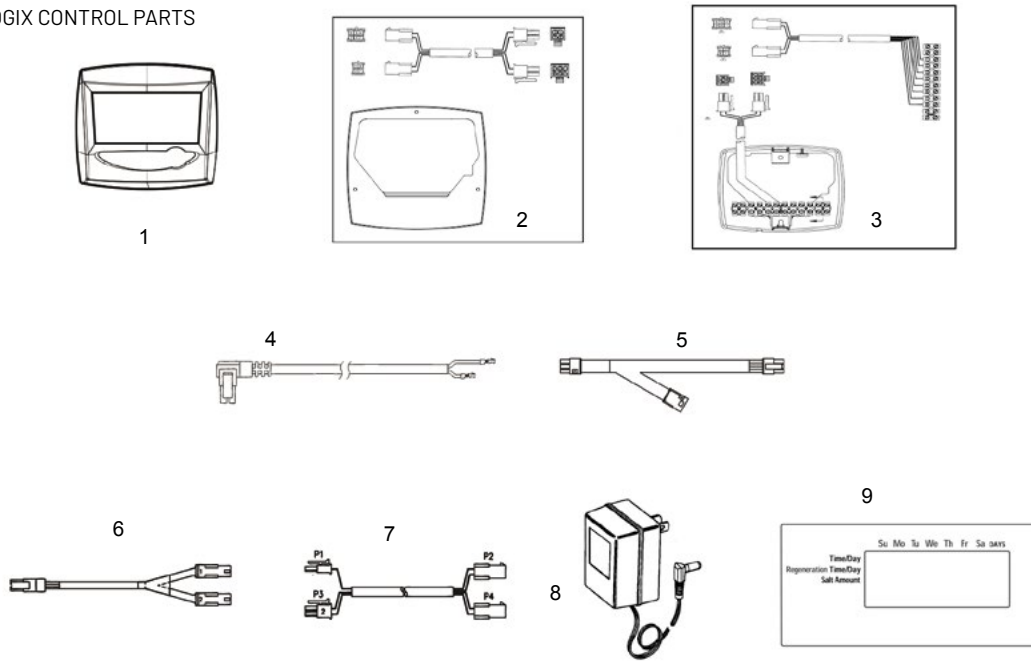
ITEM #	PART #	DESCRIPTION
<i>North American</i>		
	1254995	253/740F Logix Upgrade Pkg - N. Amer 60 Hz†
	1254996	255/740 Logix Upgrade Pkg - N. Amer 60 Hz†
	1254997	263/740F Logix Upgrade Pkg - N. Amer 60 Hz†
	1254998	268/740 Logix Upgrade Pkg - N. Amer 60 Hz†
	3002850	253/742F Logix Upgrade Pkg - N. Amer 60 Hz†
	3002851	255/742 Logix Upgrade Pkg - N. Amer 60 Hz†
	3002858	263/742F Logix Upgrade Pkg - N. Amer 60 Hz†
	3002862	268/742 Logix Upgrade Pkg - N. Amer 60 Hz†
	3002866	278/742F Logix Upgrade Pkg - N. Amer 60 Hz†
	3002870	278/742 Logix Upgrade Pkg - N. Amer 60 Hz†
	3002879	298/742 Logix Upgrade Pkg - N. Amer 60 Hz
	3002874	298/742F Logix Upgrade Pkg - N. Amer 60 Hz
	1255006	255/760 Logix Upgrade Pkg - N. Amer 60 Hz†
	1255008	268/760 Logix Upgrade Pkg - N. Amer 60 Hz†
	3002856	255/762 Logix Upgrade Pkg - N. Amer 60 Hz†
	3002860	263/762F Logix Upgrade Pkg - N. Amer 60 Hz†
	3002864	268/762 Logix Upgrade Pkg - N. Amer 60 Hz†
	3002872	278/762 Logix Upgrade Pkg - N. Amer 60 Hz†
	3002880	298/762 Logix Upgrade Pkg - N. Amer 60 Hz w/32" Meter Cable
	3002881	298/762 Logix Upgrade Pkg - N. Amer 60 Hz w/10' Meter Cable
	3022009	255/764 Logix Upgrade Pkg - N. Amer 60 Hz†
	3022101	278/764 Logix Upgrade Pkg - N. Amer 60 Hz†
	3022102	293/764F Twin Logix Upgrade Pkg - N. Amer 60 Hz
	3022103	298/764 Logix Twin Upgrade Pkg - N. Amer 60 Hz
	3026200	298/764 Single Tank Upgrade Pkg - N. Amer 60 Hz w/32" Meter Cable
	3035634	298/764 Twin Tank Upgrade Pkg - N. Amer 60 Hz w/10' Meter Cable

† Must select Logix injector for tank size.

ITEM #	PART #	DESCRIPTION
<i>World</i>		
1255015	253/740F	Logix Upgrade Pkg - World 50/60 Hz†
1255016	255/740	Logix Upgrade Pkg - World 50/60 Hz†
1255022	255/760	Logix Upgrade Pkg - World 50/60 Hz†
3002855	255/742	Logix Upgrade Package World 50/60 Hz†
3002857	255/762	Logix Upgrade Package World 50/60 Hz†
3002859	263/742F	Logix Upgrade Package World 50/60 Hz†
3002861	263/762F	Logix Upgrade Package World 50/60 Hz†
3002865	268/762	Logix Upgrade Package World 50/60 Hz†
3022343	255/764	Twin Logix Upgrade Package World 50/60 Hz†
3022561	Magnum 298/764	Twin Logix Upgrade Package World 50/60 Hz with 32" Long Meter Cables
3030409	Magnum 298/764	Single Tank Logix Upgrade Package World 50/60 Hz with 32" Long Meter Cables
3037916	Magnum 298/764	Single Tank Logix Upgrade Package World 50/60 Hz with 25' Long Meter Cables
† Must select Logix injector for tank size.		

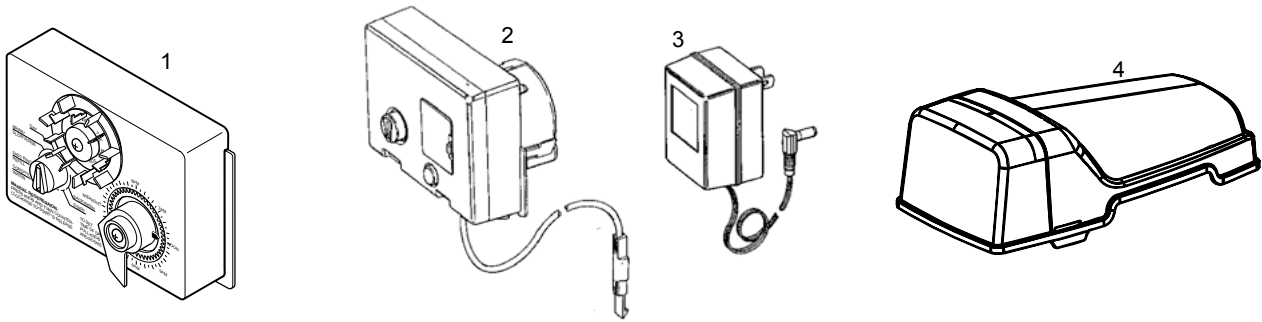
VALVE & CONTROL ACCESSORIES

LOGIX CONTROL PARTS



ITEM #	PART #	DESCRIPTION
1	1254886	Logix Remote/Secondary
2	1263718	Logix Wall Mount Kit, Includes 10-foot Cable (not shown: 2 screws, 1 wiring grommet and wire ties)
3	1256257	Logix Wall Mount Kit, No Extension Cable (not shown: 2 screws, 1 wire grommet and 4 terminal block screws)
4	1239979	Remote Regen Kit, 742
5	3020228	Remote Start/Lockout Kit, 764
6	3016715	Sensor Y-Cable Assembly, Logix 764 Twin
7	3016775	Twin Extension Cable, 9.6', Logix 764
	1244336	No Salt Detector/Chlorine Generator Kit
AC ADAPTER		
	44149	120 VAC, 60 Hz, N. American Plug
	44156	120 VAC, 60 Hz Outdoor N. American Plug
8	1000812	230 VAC, 50 Hz, Australian Plug
	1000813	230 VAC, 50 Hz, British Plug
	1000814	230 VAC, 50 Hz, European Plug
	44193	230 VAC, 50/60 Hz, N. American Plug
OVERLAYS		
	1238480	Overlay, 76x Logix Conditioner, English
9	1238478	Overlay, 74x Logix Filter, English
	1239129	Overlay, 76x Logix Filter, English
	1238481	Overlay, 76xC Logix Conditioner, English

400 SERIES CONTROLS

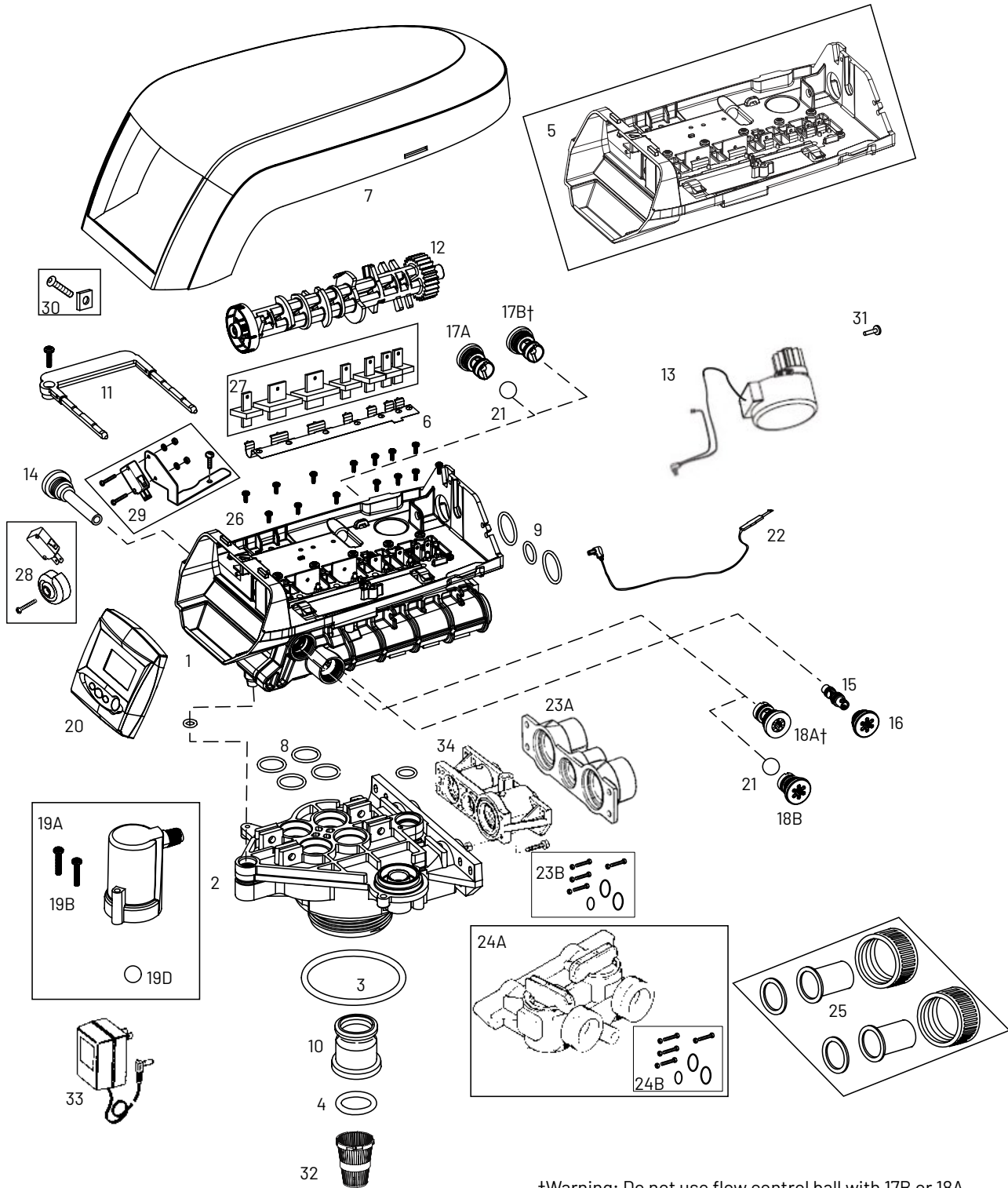


ITEM #	PART #	DESCRIPTION
--------	--------	-------------

REPLACEMENT PARTS

1	440i ASSEMBLY (OBSOLETE) REPLACE W/460TC - CALL CUSTOMER CARE FOR CONFIGURATION	
	460i/460TC ASSEMBLY	
	1040534	460i Control Only, 12 Volt, 60 Hz, w/o AC Adapter
	1030000	460i Control, 12 Volt, with 120 Volt 60 Hz AC Adapter U.S. Plug
2	1040002	460i Control Retrofit Kit, 155 or 255, w/Turbine Meter
	1040001	460i Control Retrofit Kit, 168 w/Turbine
	4001085	460TC Control, 12V/60 Hz w/North American Transformer
	4001086	460TC Control, 12V/60 Hz
	4001249	460TC Control, 12V/50 Hz
	AC ADAPTER	
	44149	120 VAC, 60 Hz, N. American Plug
	44156	120 VAC, 60 Hz Outdoor N. American Plug
3	1000810	100 VAC, 50/60 Hz, Japanese Plug
	1000812	230 VAC, 50 Hz, Australian Plug
	1000813	230 VAC, 50 Hz, British Plug
	1000814	230 VAC, 50 Hz, European Plug
	44193	230 VAC, 50/60 Hz, N. American Plug
	1030239	Y Cable Connector for Transformer
4	3019870	COVER, I-LID, CLOSED FACE
<i>Parts and Accessories</i>		
	1000099	12V 60 Hz Motor, 460i & 460TC
	1000376	120V 60 Hz Motor, 440, 450
	1001000	Main Gear with Output 460i & 460TC
	1000094	Access Window 460i & 460TC
1	1244650	255 Valve Assembly, w/o Flow Controls
2	1033784	255 Tank Adapter
3	1010154	O-RING, SPCL, PRESS AND PLACE, EPDM, 70 DURO
4	1232370	O-ring, Riser Tube, -318, EP
5	1235340	Top Plate, 255 Valve, Logix Series Controller

255/LOGIX

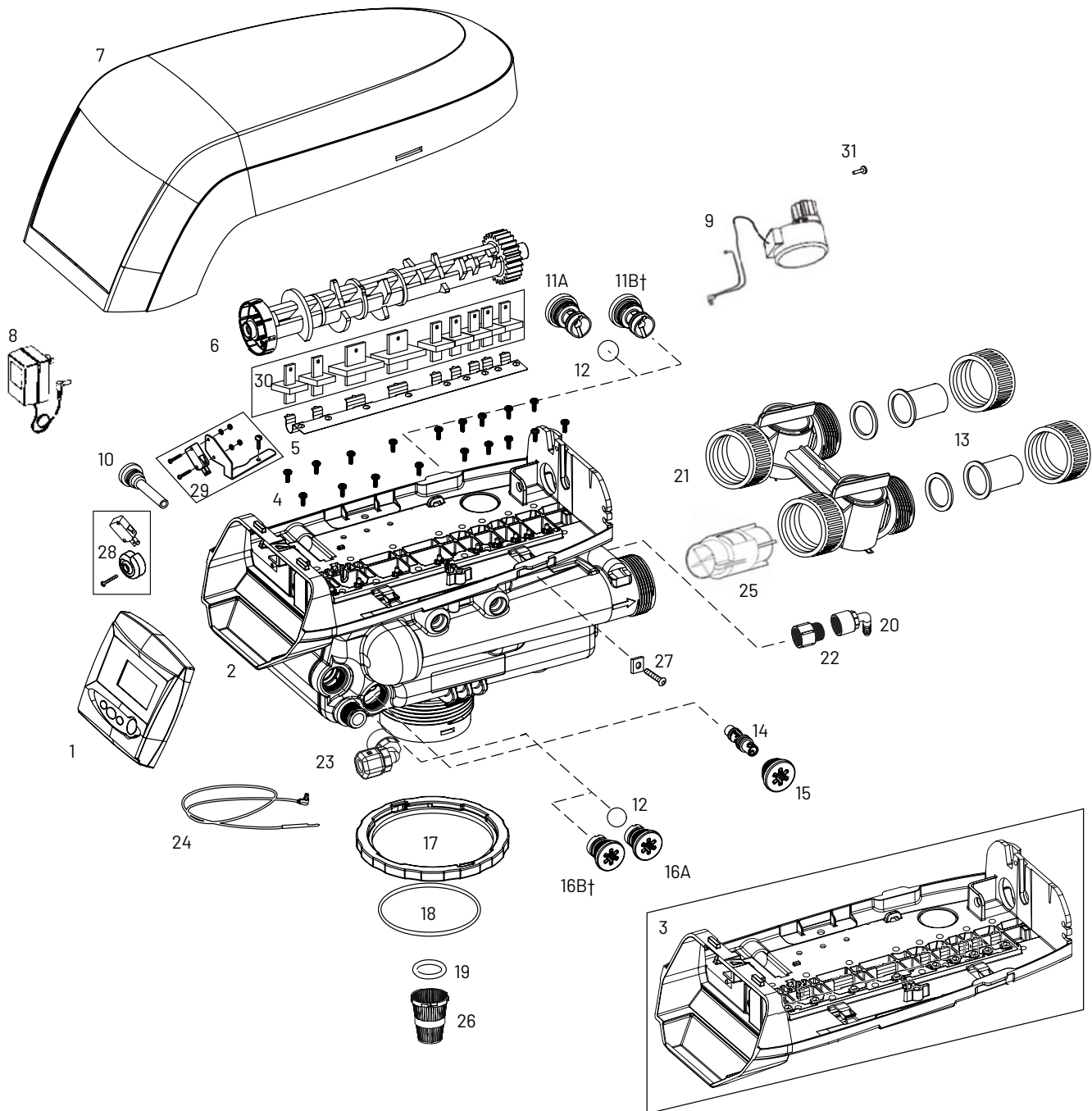


ITEM #	PART #	DESCRIPTION
6	1235341	SPRING, ONE PIECE, 253-255
	1236246	Valve Cover, 255/Performa Logix Valves, Dk Gray
7	1267811	Logix Outdoor Cover with Face Shield , Almond
	1267806	Logix Cover, Open Face, Almond
8	1001404	KIT, O-RINGS, TANK ADAPTER, 253/255
9	1040459	O-ring Kit: Piping Boss
10	1001986	13/16 inch Rubber Insert (Optional)
LOCKING BAR		
11	1031402	English Language Locking Bar
	1031406	Japanese Language Locking Bar
	1234170	Locking Bar Screw - No. 8-18 x 0.56" Self Tap
CAMSHAFT OPTIONS		
12	1235353	Cam 255/700-860 Series Valve, STD, Black
	1236251	Cam 255/700-860 Series Valve, TWIN, Tan
13	3019221	Motor/Optical Cable/Sensor
14	1000226	Screen/Cap Assembly w/O-ring
15	1035730	E Injector with O-rings, 6-inch Tank - Yellow
	1035731	F Injector with O-rings, 7-inch Tank - Peach
	1035732	G Injector with O-rings, 8-inch Tank - Tan
	1035733	H Injector with O-rings, 9-inch Tank - Lt Purple
	1035734	J Injector with O-rings, 10-inch - Lt Blue
	1035735	K Injector with O-rings, 12-inch Tank - Pink
	1035736	L Injector with O-rings, 13 & 14-inch Tank - Orange
	1035738	N Injector with O-rings, 16-inch Tank - Green
16	1035739	Q Injector with O-rings, 18-inch Tank - Dk Purple
	1035884	R Injector with O-rings, 21-inch Tank - Dk Gray
16	1000269	ASSY, CAP, BLANK, GRAY, PBT
BACKWASH FLOW CONTROL ASSEMBLY WITH O-RING		
17A	1000208	No. 6 (1.0 gpm; 3.9 Lpm)
	1000209	No. 7 (1.3 gpm; 4.9 Lpm)
	1000210	No. 8 (1.7 gpm; 6.4 Lpm)
	1000211	No. 9 (2.2 gpm; 8.3 Lpm)
	1000212	No. 10 (2.7 gpm; 10.2 Lpm)
	1000213	No. 12 (3.9 gpm; 14.76 Lpm)
BACKWASH FLOW CONTROL ASSEMBLY WITH O-RING		
17B	1000214	No. 13 (4.5 gpm; 17 Lpm)
	1000215	No. 14 (5.3 gpm; 20 Lpm)
18A	1000222	Regenerant Refill Controller, No Ball, 0.33 gal.
	1268102	No Salt Chlorine Generator Kit, 0.33 gpm
	1030334	Plugged Refill Flow Control for Filters

ITEM #	PART #	DESCRIPTION
18B	1243510	Regenerant Refill Controller, 0.33 gpm
AIR CHECK KIT		
19A	1032416	Air Check Kit 3/8-inch Male
	1032417	Air Check Kit 1/4-inch Male w/Compression Fitting
19B	1005600	Screw, Air Check, 8-32 x 1.54
	1033066	Threaded Air Check Adapter
19D	1030528	Ball, Air Check
	1036862	Elbow 1/4" FNPT x 3/8" Tube JACO
20	SEE LOGIX CONTROLS (pg. 13)	
21	1030502	Ball, Flow Control
	1033066	New to Old Style Aircheck Adapter
22	1235446	Turbine Cable, 23" Long
MANIFOLD KIT, INCLUDES HARDWARE & O-RINGS		
	3023763	3/4" NPT Stainless Steel
	3023749	1" NPT Stainless Steel Manifold
23A	3023761	3/4" BSPT Stainless Steel Manifold
	1040279	3/4" NPT Noryl Manifold
	1040283	3/4 BSPT Noryl Manifold
	1234254	1" MNPT Male Manifold Kit
	1234257	3/4" MNPT Male Manifold Kit with Turbine
23B	1040339	Piping Boss Installation Kit
BYPASS VALVE		
24A	1040769	256 Bypass Assembly with Install Kit
24B	1040524	Bypass Installation Kit
TUBE ADAPTER KITS (ALL KITS ARE INDIVIDUALLY BAGGED AND INCLUDE 2 ADAPTERS, 2 GASKETS AND 2 DUREZ NUTS)		
	1001606	3/4" Copper Tube Adapter Kit
	1001613	3/4" CPVC Tube Adapter Kit
	1001769	3/4" NPT ABS Plastic Threaded Tube Adapter Kit
	1001604	3/4" BSPT ABS Plastic Threaded Pipe Adapter Kit
	3023824	3/4" BSPT Stainless Steel Pipe Adapter Kit
	1001670	1" Copper Tube Adapter Kit
25	1001614	1" CPVC Tube Adapter Kit
	1001603	1" NPT ABS Plastic Threaded Pipe Adapter Kit
	1001605	1" BSPT ABS Plastic Threaded Pipe Adapter
	3023828	1" NPT Stainless Steel Threaded Pipe Adapter Kit
	3023807	1" BSPT Stainless Steel Threaded Pipe Adapter Kit
	1041210	1-1/4" Copper Tube Adapter Kit
	1001608	22-mm Copper Tube Adapter Kit
	1001615	25-mm CPVC Tube Adapter Kit

ITEM #	PART #	DESCRIPTION
26	1234170	Screws, Top Plate, 8-18 x 0.56", Self Tap
27	1000250	Valve Disk Kit, 255
28	1239711	Switch Kit, Front Mount, 0.1 amp (Optional)
	1239752	Switch Kit, Front Mount, 5 amp (Optional)
	1239753	Switch Kit, Top Plate Mount, 0.1 amp (Optional)
29	1239754	Switch Kit, Top Plate Mount, 5 amp (Optional)
	1239760	Blending Valve Kit 900/700 Series (Optional)
30	1239760	Blending Valve Kit 900/700 Series (Optional)
31	1233187	Motor Locking Pin (Optional)
32	1009116	Upper Basket
33	AC ADAPTER - SEE LOGIX CONTROL PARTS (pg. 16)	
	1001580	Spring, Valve Disk, Individual Flapper
	TURBINE METER KITS (INCLUDES INSTALL MOUNTING KIT)	
34	1032350	Turbine Meter Adapter Kit - Noryl Plastic
	1040524	Meter Install Kit
	1234257	Turbine Meter/Piping Boss Manifold Kit - 3/4" x 1/2" Male NPT - Plastic
1	SEE LOGIX CONTROLS	
2	1244651	263/268 Valve Assembly w/o Flow Controls
	1270159	Valve Assembly w/o Flow Controls, 273/278, Performa Cv
3	1235338	Top Plate, 263-278 Valve
4	1234170	Screw, Top Plate, 8-18 0.56", Self Tap
5	1235339	Valve Disc Spring, One Piece, Performa Valve
	1235352	Cam Valve, Black, 263, 268 Single Tank
	1237402	Cam Valve, Green, 269
6	1237405	Cam, Brown, Performa Cv, Single Tank
	1237406	Cam, White, Performa Cv, Twin
	1236246	Valve Cover, 253/278 Logix Valves, Dk Gray
7	1267811	Logix Outdoor Cover with Face Shield, Almond
	1267806	Logix Cover, Open Face, Almond
	1267807	Performa 263, 268, 278 Decorative Bottom Cover, Almond
8	AC ADAPTER - SEE LOGIX CONTROL PARTS (pg. 16)	
9	3019221	Motor/Optical Cable/Sensor
10	1000226	Screen/Cap Assembly w/O-ring
	DRAIN CONTROL ASSEMBLY WITH O-RING	
11A	1000208	No. 6 (1.0 gpm; 3.9 Lpm)
	1000209	No. 7 (1.3 gpm; 4.9 Lpm)
	1000210	No. 8 (1.7 gpm; 6.4 Lpm)
	1000211	No. 9 (2.2 gpm; 8.3 Lpm)
	1000212	No. 10 (2.7 gpm; 10.2 Lpm)
	1000213	No. 12 (3.9 gpm; 14.76 Lpm)

PERFORMA LOGIX

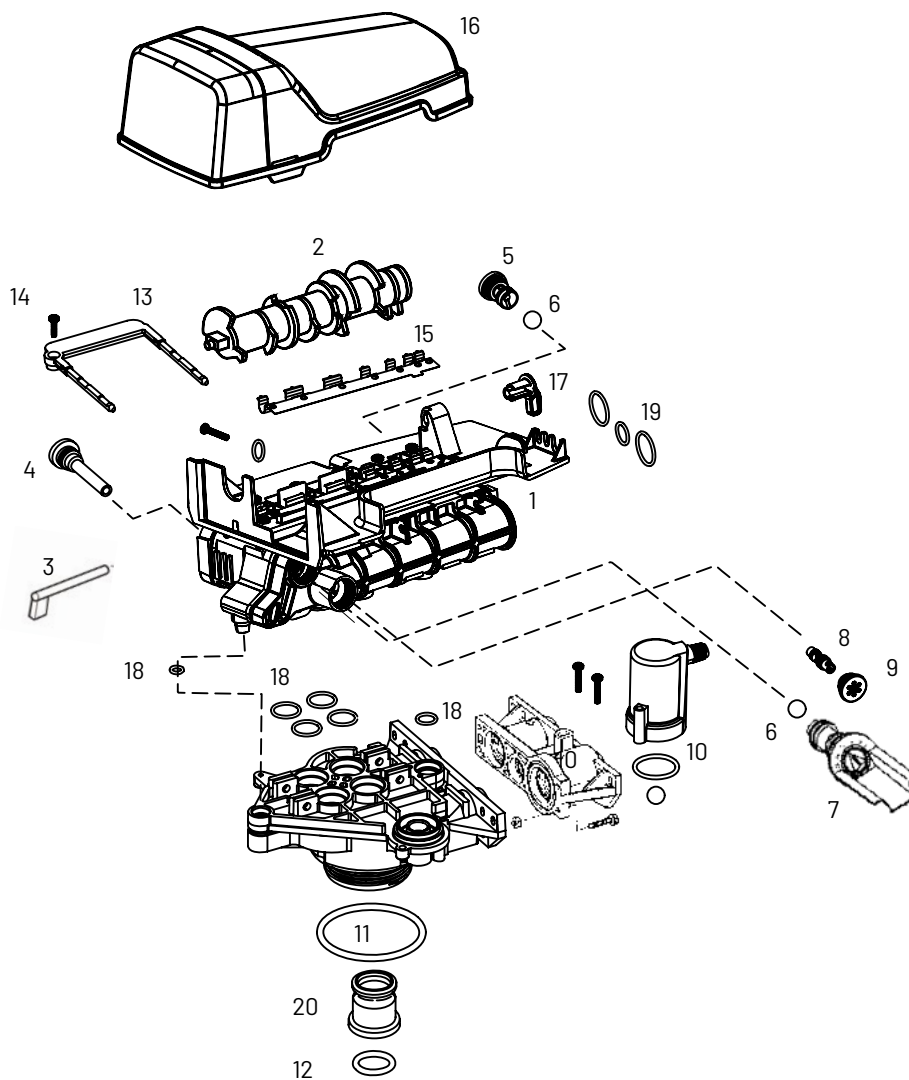


†Warning: Do not use flow control ball with 11B or 16B.

ITEM #	PART #	DESCRIPTION
DRAIN CONTROL ASSEMBLY WITH O-RING		
11B	1000214	No. 13 (4.5 gpm; 17 Lpm)
	1000215	No. 14 (5.3 gpm; 20 Lpm)
12	1030502	Ball, Flow Control
TUBE ADAPTER KITS (ALL KITS ARE INDIVIDUALLY BAGGED AND INCLUDE 2 ADAPTERS, 2 GASKETS AND 2 DUREZ NUTS)		
13	1001606	3/4" Copper Tube Adapter Kit
	1001613	3/4" CPVC Tube Adapter Kit
	1001769	3/4" NPT ABS Plastic Threaded Tube Adapter Kit
	1001604	3/4" BSPT ABS Plastic Threaded Pipe Adapter Kit
	3023824	3/4" BSPT Stainless Steel Pipe Adapter Kit
	1001670	1" Copper Tube Adapter Kit
	1001614	1" CPVC Tube Adapter Kit
	1001603	1" NPT ABS Plastic Threaded Pipe Adapter Kit
	1001605	1" BSPT ABS Plastic Threaded Pipe Adapter
	3023828	1" NPT Stainless Steel Threaded Pipe Adapter Kit
	3023807	1" BSPT Stainless Steel Threaded Pipe Adapter Kit
	1041210	1-1/4" Copper Tube Adapter Kit
	1001608	22-mm Copper Tube Adapter Kit
	1001615	25-mm CPVC Tube Adapter Kit
	14	1035730
1035731		F Injector with O-rings, 7-inch Tank - Peach
1035732		G Injector with O-rings, 8-inch Tank - Tan
1035733		H Injector with O-rings, 9-inch Tank - Lt Purple
1035734		J Injector with O-rings, 10-inch - Lt Blue
1035735		K Injector with O-rings, 12-inch Tank - Pink
1035736		L Injector with O-rings, 13 & 14-inch Tank - Orange
1035738		N Injector with O-rings, 16-inch Tank - Green
1035739		Q Injector with O-rings, 18-inch Tank - Dk Purple
1035884		R Injector with O-rings, 21-inch Tank - Dk Gray
15	1000269	ASSY, CAP, BLANK, GRAY, PBT
	1243510	Refill Ball & Cone Type Flow Controller, 0.33 gpm
16A	1000519	Refill Ball & Cone Type Flow Controller, 1.3 gpm
	1030334	Plugged Refill Flow Control for Filters
16B	1000224	Regenerant Refill Controller, 0.74 gpm, Performa Cv
	1000222	Regenerant Refill Controller, 0.33 gpm
17	1035622	Tank Ring
18	1010154	O-RING, SPCL, PRESS AND PLACE, EPDM, 70 DURO
19	1232370	O-ring, Riser Tube, -318, EP
20	1002449	Valve Drain Connection Fitting, Elbow, 3/4 NPT x 1/2 Hose (Tubing)

ITEM #	PART #	DESCRIPTION
21	1040930	1265 Bypass, Valve
22	SEE EXTERNAL DRAIN LINE FLOW CONTROLS (OPTIONAL) (pg. 12)	
23	4001129	Brine Fitting
24	1235446	Flow Sensor Cable, 23" Long
25	1033444	Internal Turbine Performa Valves
26	1009116	Upper Basket
27	1239760	Blender Kit, 253-278 Valves (Optional)
28	1239711	Switch Kit, Front Mount, 0.1 amp (Optional)
28	1239752	Switch Kit, Front Mount, 5 amp (Optional)
29	1239753	Switch Kit, Top Plate Mount, 0.1 amp (Optional)
29	1239754	Switch Kit, Top Plate Mount, 5 amp (Optional)
30	1041174	Valve Disc Kit
31	1233187	Motor Locking Pin (Optional)
	1001580	Spring, Valve Disk, Individual Flapper
	1244336	Chlorine Generator Kit, Performa Cv
	1239979	Cable Harness, Remote Regen 742F, Performa Cv

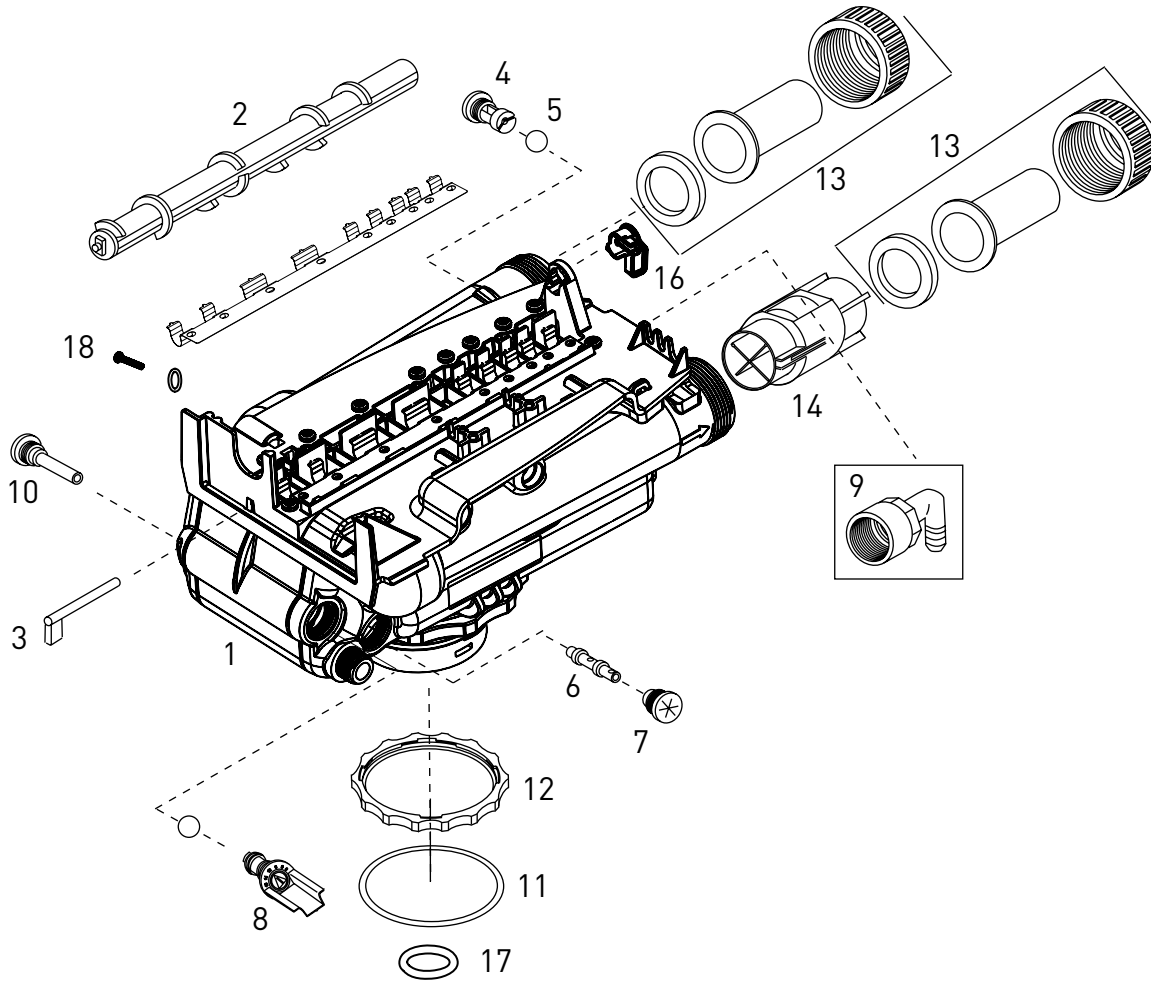
255/400 CONTROL



ITEM #	PART #	DESCRIPTION
1	1000232	Valve Assembly, w/o Flow Controls
	CAMSHAFT	
	1031950	Standard, One-Piece
2	1033024	Standard, Segmented
	1033025	Extra Salt, Segmented
	1033026	Long Rinse, Segmented
	1032969	Water Saver, Segmented
3	1031391	Timer Locking Pin
4	1000226	Screen/Cap Assembly w/O-ring

ITEM #	PART #	DESCRIPTION
DRAIN CONTROL ASSEMBLY W/O-RINGS		
5	1000208	No. 6 (1 gpm; 3.78 Lpm)
	1000209	No. 7 (1.2 gpm; 4.5 Lpm)
	1000210	No. 8 (1.6 gpm; 6.1 Lpm)
	1000211	No. 9 (2.0 gpm; 7.6 Lpm)
	1000212	No. 10 (2.5 gpm; 9.5 Lpm)
	1000213	No. 12 (3.5 gpm; 13.2 Lpm)
	1000214	No. 13 (4.1 gpm; 15.5 Lpm)†
	1000215	No. 14 (4.8 gpm; 18.2 Lpm)†
6	1030502	Ball, Flow Control
BRINE REFILL CONTROL		
7	1034261	1 to 10 lbs Salt
	1034263	ASSY, BRINE CONTROLLER, 3-19 LBS, GRAY
	1030334	Plugged Refill Control for 253 Filters
INJECTOR ASSEMBLY WITH O-RINGS		
8	1032970	"A" Injector - White
	1032971	"B" Injector - Blue
	1032972	"C" Injector - Red
	1234851	ASSY, INJ, "PF" SIZE, PLUGGED BLK
9	1000269	ASSY, CAP, BLANK, GRAY, PBT
10	1032416	Air Check Kit, 3/8"
11	1010154	O-RING, SPCL, PRESS AND PLACE, EPDM, 70 DURO
12	1232370	O-ring EP
LOCKING BAR		
13	1031402	English Language
	1031406	Japanese Language
14	1234170	Locking Bar Screw - No. 8-18 x 0.56" Self Tap
15	1235341	SPRING, ONE PIECE, 253-255
16	3019870	COVER, I-LID, CLOSED FACE
17	3019873	Lever, Locking Cam
KITS		
18	1001404	KIT, O-RINGS, TANK ADAPTER, 253/255
19	1040459	O-ring Kit: Piping Boss 1010431(1), 1010411(2)
20	1001986	13/16 Rubber Insert (Optional)
	1000250	Valve Disc Kit
	3034598	255/400 Series Upgrade Kit (Includes Spring, Cover, Top Plate, Locking Cam)
	1239760	Blending Kit 253-268 400 Series Valves
† Flow control does not use Flow Control Ball 1030502.		

PERFORMA 400

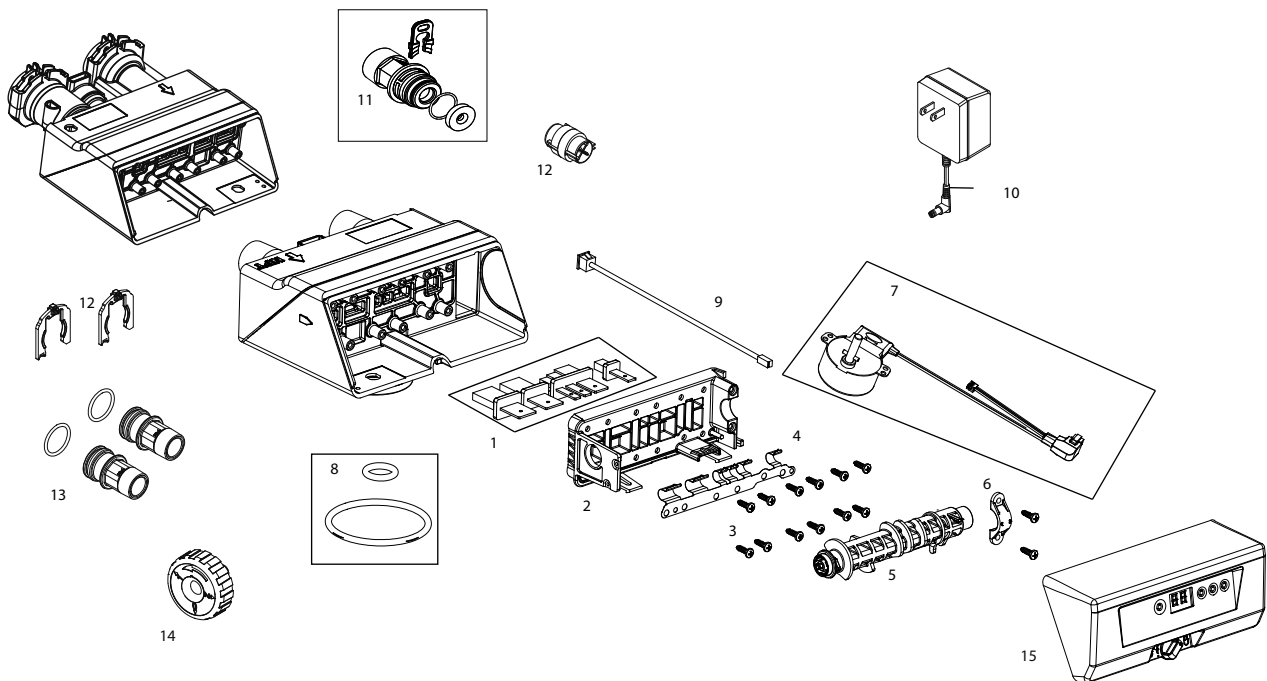


ITEM #	PART #	DESCRIPTION
1	1035606	Valve Assembly, w/o Flow Controls (460i, 460TC)
CAMSHAFT		
2	1035625	440i, 460i Standard
	1035627	440i, 460i Extra Salt †
3	1031391	Timer Locking Pin
DRAIN CONTROL ASSEMBLY		
4	1000209	No. 7 (1.2 gpm; 4.5 Lpm)
	1000210	No. 8 (1.6 gpm; 6.1 Lpm)
	1000211	No. 9 (2.0 gpm; 7.6 Lpm)
	1000212	No. 10 (2.5 gpm; 9.5 Lpm)
	1000213	No. 12 (3.5 gpm; 13.2 Lpm)
	1000214	No. 13 (4.1 gpm; 15.5 Lpm)
	1000215	No. 14 (4.8 gpm; 18.2 Lpm)
5	1030502	Ball, Flow Control
INJECTOR ASSEMBLY		
6	1032970	"A" Injector - White
	1032971	"B" Injector - Blue
	1032972	"C" Injector - Red
	1030272	"D" Injector - Green
	1234851	ASSY, INJ, "PF" SIZE, PLUGGED BLK
7	1000269	ASSY, CAP, BLANK, GRAY, PBT
BRINE REFILL CONTROL (440i AND 460i)		
8	1034261	1 to 10 Pounds Salt
	1034263	ASSY, BRINE CONTROLLER, 3-19 LBS, GRAY
	1030334	Plugged Refill Control for Filters
9	1002449	Drain Fitting Elbow (3/4" hose barbed)
10	1000226	Screen/Cap Assembly
11	1010154	O-RING, SPCL, PRESS AND PLACE, EPDM, 70 DURO
12	1035622	Tank Ring

† Soft water refill is not available with the extra salt cam.

ITEM #	PART #	DESCRIPTION
PLUMBING ADAPTER KITS		
	1001606	3/4-inch Copper Tube Adapter Kit
	1001670	1-inch Copper Tube Adapter Kit
	1041210	1-1/4-inch Copper Tube Adapter Kit
	1001608	22-mm Copper Tube Adapter Kit
	1001613	3/4-inch CPVC Tube Adapter Kit
	1001614	1-inch CPVC Tube Adapter Kit
13	1001615	25-mm CPVC Tube Adapter Kit
	1001769	3/4-inch NPT Plastic Pipe Adapter Kit
	1001603	1-inch NPT Plastic Pipe Adapter Kit
	1001604	3/4-inch BSPT Plastic Pipe Adapter Kit
	1001605	1-inch BSPT Plastic Pipe Adapter Kit
	3023824	3/4-inch BSPT S.S. Pipe Adapter Kit
	3023828	1-inch NPT S.S. Pipe Adapter Kit
	3023807	1-inch BSPT S.S. Pipe Adapter Kit
14	1033444	Turbine Assembly (460i only)
15	1235339	Spring, one pc 268
16	1035778	Retainer, Locking Cam 268, Old "A" Style
	3019874	Lever Locking Cam Screw Style
17	1232370	Riser O-ring -318, EP
	3019870	COVER, I-LID, CLOSED FACE
	1041174	Valve Disc Kit
18	1239760	Blending Kit 253-268 400 Series Valves

360 SERIES PARTS



ITEM #	PART #	DESCRIPTION
1	4002555	Kit, Valve Discs, 360 Series Filter
2	4002211	Top Plate, 360 Series Filter
3	1234170	Screw, Pan Head, #8-18 x 9-16 LG
4	4002213	Spring, One Piece
5	4002212	Cam, 3 Cycle, 360 Series Filter
6	1000589	Cap, Pillow Block
7	4001260	12 Volt Motor Assembly
8	4001889	Valve O-ring Kit
9	3022576	Transformer Cable
TRANSFORMERS		
	44149	120 VAC, 60 Hz, N. American Plug
	44156	120 VAC, 60 Hz Outdoor N. American Plug
10	1000810	100 VAC, 50/60 Hz, Japanese Plug
	1000812	230 VAC, 50 Hz, Australian Plug
	1000813	230 VAC, 50 Hz, British Plug
	1000814	230 VAC, 50 Hz, European Plug
	44193	230 VAC, 50/60 Hz, N. American Plug
KIT, DRAIN LINE FLOW CONTROL		
	4002459	Kit, DLFC, 4.0GPM, NPT, 360, Fltr
	4002460	Kit, DLFC, 4.5GPM, NPT, 360, Fltr
	4002461	Kit, DLFC, 5.0GPM, NPT, 360, Fltr
	4002462	Kit, DLFC, 6.0GPM, NPT, 360, Fltr
	4002463	Kit, DLFC, 7.0GPM, NPT, 360, Fltr
	4002464	Kit, DLFC, 8.0GPM, NPT, 360, Fltr
11	4002465	Kit, DLFC, 9.0GPM, NPT, 360, Fltr
	4002466	Kit, DLFC, 10GPM, NPT, 360, Fltr
	4002467	Kit, DLFC, 12GPM, NPT, 360, Fltr
	4002468	Kit, DLFC, 15GPM, NPT, 360, Fltr
	4002469	Kit, DLFC, 20GPM, NPT, 360, Fltr
	4002478	Kit, DLFC, 5.0GPM, BSP, 360, Fltr
	4002483	Kit, DLFC, 10GPM, BSP, 360, Fltr
	4002486	Kit, DLFC, 20GPM, BSP, 360, Fltr
12	40576-01	Clip, H, Plastic

ITEM #	PART #	DESCRIPTION
CONNECTOR ASSEMBLIES		
	42414-01	Connector, 3/4", NPT, Plastic
	42414-11	Connector, 3/4", BSP, Plastic
	61626	Connector, 3/4" & 1", Sweat
	40563-11	Connector, 1", BSP, Plastic
	61561	Connector, 1", NPT, Brass
	40563-01	Connector, 1", NPT, Plastic
13	40565-11	Connector, 1-1/4", BSP, Plastic
	40565-01	Connector, 1-1/4", NPT, Plastic
	61562-10	Connector, 1-1/2", BSP, Brass
	42241-11	Connector, 1-1/2", BSP, Plastic
	61562	Connector, 1-1/2", NPT, Brass
	42241-01	Connector, 1-1/2", NPT, Plastic
	41242-01	Connector, 1" & 1-1/4", Sweat
	41243-01	Connector, 1-1/4" & 1-1/2", Sweat
COVER ASSEMBLIES		
15	4002671	Control Assembly, 363TC/604, North American
	4002672	Control Assembly, 363TC/604, World
	4002754	Kit, Remote Regen, 361 & 363

COMMERCIAL AND INDUSTRIAL PRICE LIST

Pentair has designed the Commercial and Industrial (C & I) Price List to be a complete and easy-to-use product guide for our C & I control valve and stand-alone controller products. If the product configuration you desire is not listed in one of the detailed product configuration tables, contact the factory; new products or configurations may be available but not offered as standard.

NOTE: WHEN YOU HAVE SELECTED THE DESIRED PRODUCT CONFIGURATION, BE SURE TO REFERENCE THE 7-DIGIT PART NUMBER AND USE THIS NUMBER TO ORDER YOUR PRODUCT SELECTION. DO NOT USE MODEL NUMBERS TO ORDER PRODUCT.

As outlined in the table of contents, each of the control valve line sections has been organized by controller type. In addition, identification of conditioner and filter valve configurations is made in subheadings where appropriate.

CONTROL VALVE AND CONTROLLER PRODUCT DESCRIPTION - COMMERCIAL AND INDUSTRIAL

The C & I product line consists of four series of control valves and a stand-alone controller product line for controlling conditioner and filter systems. A general description of each of these product series is provided below.

Performa Cv (273/278) Valve

The Performa Cv is a rugged commercial conditioner and filter control with standard downflow co-current regeneration. It is a full 1" control valve, specially ported to achieve higher performance flow rates.

Autotrol 255, Logix 764, Control Valve Systems

The 255 Logix 764 Systems allow for flexible multi-tank application for light commercial and residential applications. Combining the reliability of our 255 valve with the time-proven Logix 764 control technology allows for Alternating or High Flow parallel configurations to be offered. Optional interconnecting manifold systems are available for the complete 255 Twin installation.

Performa Cv Logix 764 Twin Alternating and High Flow

The Performa Cv Logix systems have the ability to cover commercial multi-tank applications. Combining the 278 Performa Cv control with the Logix 764 control technology allow these twin systems to accommodate up to 21" tanks. The Performa Cv Twin Alternating and High Flow systems offer an optional interconnecting manifold for easy installation.

Autotrol Magnum Series Control Valve

The Magnum IT has been designed for versatility of application and superior flow performance. The Magnum series may be applied as a 3-cycle filter valve or a 5-cycle conditioner valve. The valves are Noryl in construction, lightweight, and offer 2" inlet and outlet, 1-1/2" drain. A flapper valve pilot system is used to control face seal diaphragm valves during regeneration. Series 742 or 762 Logix electronic controllers may be used with the Magnum series product. In addition, the Magnum IT valve with Logix 764 Twin controller is a very cost-effective and capable Twin Alternating or Parallel control package offered as a standard configuration.

General

For your convenience, the C & I Price List defines standard conditioner product configurations for each of the control valve products listed above. Injectors have been selected for these pre-configured models based on typical brine draw and slow rinse requirements for the appropriate range of tank diameters. Substituting injectors for non pre-configured models is possible if alternative configurations are required to meet specific applications. To assist with the selection of the appropriate components, injector performance curves are published in each of the respective product spec sheets.

PART #	DESCRIPTION	EXT. DRAIN FLOW CTRL	REFILL (GPM)	BACK-WASH	INJECTOR	TANK SIZE (IN)
--------	-------------	----------------------	--------------	-----------	----------	----------------

PERFORMA Cv SERIES ORDERING INFORMATION

PERFORMA Cv - 742/762

278 Performa Cv/742 Logix Time Clock Controller - North America

3016230		None	1.30 gpm	14	M	14
1269701	278 Performa Cv, 742 Logix Controller N. America, 12 Volt AC Adapter, English Language, No Cover, Packaged 4 Valves Per Carton	7 gpm	1.30 gpm	Capped	N	16
1269700		9 gpm	1.30 gpm	Capped	Q	18
1268295		12 gpm	1.30 gpm	Capped	R	21

278 Performa Cv/762 Logix Demand Controller - North America

3017061		None	1.30 gpm	14	M	14
1269955	278 Performa Cv, 762 Logix Controller N. America, 12 Volt AC Adapter, English Language, No Cover, Packaged 4 Valves Per Carton	7 gpm	1.30 gpm	Capped	N	16
1269954		9 gpm	1.30 gpm	Capped	Q	18

PART #	DESCRIPTION
--------	-------------

Performa Valve Retro-Fit Kits For Logix 742/762 Controls

3002866	Each kit contains the parts needed to upgrade an existing valve to a Logix timer. The kit includes: Logix Timer, Logix Cam Assembly for Single Units and Meter Cable.	278/742F Logix Upgrade N. America 60 Hz
3002870		278/742 Logix Upgrade N. America 60 Hz
3002872		278/762 Logix Upgrade N. America 60 Hz

255 TWIN AND MULTI-SINGLE TANK WITH LOGIX 764 CONTROLS

255 VALVE WITH LOGIX 764T DEMAND CONTROLS - ALTERNATING OR PARALLEL TWINS

3022052	255 Valve, Logix 764T Demand Control, 1" Turbine, 3/8" Sight Glass Aircheck, Interconnect Cables, Multi-Tank Cams, 60 Hz Motor, North American Wall Mount 120 Volt/12 Volt AC Adapter, No Cover. Interconnecting Manifold Kits Sold Separately.	.33 gpm	9	H	9
3022053		.33 gpm	10	J	10
3022054		.33 gpm	12	K	12
3021910		.33 gpm	14	L	14

PART #	DESCRIPTION	EXT. DRAIN FLOW CTRL	REFILL (GPM)	BACK-WASH	INJECTOR	TANK SIZE (IN)
255 VALVE WITH LOGIX 764L DEMAND CONTROLS - MULTI-SINGLE TANK WITH LOCKOUT OR SINGLE WITH REMO REGENERATION START						
3022059	255 Valve, Logix 764L Demand Control, 1" Turbine, 3/8" Sight Glass Aircheck, Single Tank Cam, 60 Hz Motor, North American Wall Mount 120 Volt/12 Volt AC Adapter, No Cover. Interconnecting Manifold Kits and Lockout Remote Regeneration Start Cable Sold Separately.		.33 gpm	9	H	9
3022060			.33 gpm	10	J	10
3022061			.33 gpm	12	K	12

PERFORMA TWIN & MULTI-SINGLE TANK W/LOGIX 764 CONTROLS

PERFORMA Cv 1" VALVE WITH LOGIX 764T DEMAND CONTROLS - ALTERNATING OR PARALLEL TWINS

3021995	278 Valves, Logix 764T Control, 1" Turbine, Multi-Tank Cams, 60 Hz Motor, North American Wall Mount 120 Volt/12 Volt AC Adapter, No Cover, Interconnect Cables. Interconnecting Manifold Kits Sold Separately.	None	.33 gpm	10	J	10
3022064		None	.33 gpm	12	K	12
3022065		None	.33 gpm	13	L	13
3021992		None	1.3 gpm	14	M	14
3022066		7 gpm	1.3 gpm	Capped	N	16
3022067		9 gpm	1.3 gpm	Capped	Q	18
3021912		12 gpm	1.3 gpm	Capped	R	21

PERFORMA Cv 1" VALVE WITH LOGIX 764L DEMAND CONTROLS - MULTI-SINGLE TANK WITH LOCKOUT OR SINGLE WITH REMOTE REGENERATION START

3022069	278 Valves, Logix 764L Control, 1" Turbine, Single Tank Cam, 60 Hz Motor, North American Wall Mount 120 Volt/12 Volt AC Adapter, No Cover. Interconnecting Manifold Kits and Lockout Remote Regeneration Start Cable Sold Separately.	None	.33 gpm	10	J	10
3022072		None	1.3 gpm	14	M	14
3022073		7 gpm	1.3 gpm	Capped	N	16
3022074		9 gpm	1.3 gpm	Capped	Q	18
3021913		12 gpm	1.3 gpm	Capped	R	21

PERFORMA Cv 1" FILTER VALVE WITH LOGIX 764T DEMAND CONTROLS - ALTERNATING OR PARALLEL TWINS

3021915	273 Filter Valve with Logix 764T Filter Demand Control, Multi-Tank Cam, North American Wall Mount 120 V/12 Volt AC Adapter, No Cover, 1" Internal Turbine Meter, Interconnect Cables. Backwash Flow Controller Sold Separately.					
---------	---	--	--	--	--	--

PERFORMA Cv 1" FILTER VALVE WITH LOGIX 764L DEMAND CONTROLS - MULTI-SINGLE TANK WITH LOCKOUT OR SINGLE WITH REMOTE REGENERATION START

3021916	273 Filter Valve with Logix 764L Demand Control, Single Tank Cam, 60 Hz Motor, North American Wall Mount 120 V/12 Volt AC Adapter, No Cover, 1" Turbine Meter, Backwash Flow Controller. Lockout Remote Regeneration Start Cable Sold Separately.					
---------	---	--	--	--	--	--

PART #	DESCRIPTION	TANK SIZE (IN)
--------	-------------	----------------

MAGNUM LOGIX - NORTH AMERICA

MAGNUM IT BODY

4001261	BODY, MAGNUM IT , 2", 5 CYC NOHARD WTR BYPASS, W/O INJ/REFILL	
4001262	BODY, MAGNUM IT , 2", 5 CYC WITHHARD WTR BYPASS, W/O INJ/REFILL	

MAGNUM IT FILTER VALVE KIT W/742F

4001316	MAGNUM IT FLTR VALVE KIT W/742F Eng N.AMER N.Amer Wall Trans - 120V NO Unfiltered Water Bypass †	
4001317	MAGNUM IT FLTR VALVE KIT W/742F Eng N.AMER N.Amer Wall Trans - 120V With Unfiltered Water Bypass †	

MAGNUM IT SOFTENER VALVE KIT W/742

4001503		14
4001504		16
4001505	MAG IT SFTNR VALVE KIT W/742 Eng-NAmer-298 N.Amer Wall Trans - 120V NO Untreated Water Bypass Single †	18
4001506		21
4001507		24
4001508		30
4001510		14
4001511		16
4001512		18
4001513	MAG IT SFTNR VALVE KIT W/742 Eng-NAmer-298 N.Amer Wall Trans - 120V With Untreated Water Bypass Single †	21
4001514		24
4001515		30
4001516		36

† Interconnect cable not included

MAGNUM IT FILTER VALVE KIT W/764L

4001324	MAGNUM IT FLTR VLV KIT W/764L Eng-NAmer-293 N.Amer Wall Trans - 120V NO Unfiltered Water Bypass 32" Logix Sensor Cable - SGL †	
4001325	MAGNUM IT FLTR VLV KIT W/764L Eng-NAmer-293 N.Amer Wall Trans - 120V With Unfiltered Water Bypass 32" Logix Sensor Cable - SGL †	

MAGNUM IT FILTER VALVE KIT SECONDARY

4001333	MAGNUM IT FLTR VALVE KIT-SECONDARY NO Trans Included, NO Unfiltered Water Bypass, 32" Logix Sensor Cable, All Wires for Twin Interconnect	
---------	---	--

PART #	DESCRIPTION	TANK SIZE (IN)
MAGNUM IT SOFTENER VALVE KIT W/764L		
4001348		14
4001349		16
4001350		18
4001351	MAG IT SFTNR VALVE KIT W/764L Eng-NAmer-298 N. Amer Wall Trans Included NO Untreated Water Bypass FC 32" Logix Sensor Cable - SGL [‡]	21
4001352		24
4001353		30
4001354		36
4001356		16
4001357		18
4001358	MAG IT SFTNR VALVE KIT W/764L Eng-NAmer-298 N. Amer Wall Trans	21
4001359	Included With Untreated Water Bypass FC 32" Logix Sensor Cable-SGL [‡]	24
4001360		30
4001361		36

[‡] Interconnect cable not included

MAGNUM SOFTENER SECONDARY VALVE KIT - FOR USE WITH MAGNUM IT W/764L TO MAKE TWIN SYSTEMS		
4001397		14
4001398		16
4001399		18
4001400	MAG SFTNR SECONDARY VALVE KIT NO Trans Included, NO Untreated Water Bypass, 32" Logix Sensor Cable, All Wires for Twin Interconnect	21
4001401		24
4001402		30
4001403		36

PART #	DESCRIPTION
--------	-------------

COMMERCIAL AND INDUSTRIAL PARTS AND ACCESSORIES

764 SERIES CONTROLLER - NORTH AMERICA

764 Series Controller Replacement Parts

3022004	255/278 Logix 764 Control with Conditioner Faceplate Overlay - English
3022005	273 Logix 764 Control with Filter Faceplate Overlay - English
3022006	Magnum 298 Logix 764 Control with Conditioner Faceplate Overlay - English
3022007	Magnum 293 Logix 764 Control with Filter Faceplate Overlay - English

LOGIX 764 TWIN SERIES (ALTERNATING OR PARALLEL) CONTROLLER UPGRADE KITS - NORTH AMERICA

*Kits include: Logix 700 Series Controller, Valve Top Plate, Standard Cover, Camshaft, Logix Motor, Secondary Face Plate, Logix One Piece Spring, Photo Interrupter Sensor, Motor/Sensor Cable, Top Plate Screws, Sensor Cable, Remote Start/Lockout Cable, and Sensor Cable Extension.
Note: Magnum upgrade packages include all of the above except for the Standard Cover, Valve Top Plate, and Logix One Piece Spring. The upgrade packages also include the Pillow Block Bearing Cap and Complete Controller Backplate Assembly.*

3022009	255/764 Logix Upgrade Pkg - N. Amer 60 Hz
3022101	278/764 Logix Upgrade Pkg - N. Amer 60 Hz
3022102	293/764F Logix Upgrade Pkg - N. Amer 60 Hz; 32" Meter Cable
3022103	298/764 Logix Upgrade Pkg - N. Amer 60 Hz; 32" Meter Cable

Consult Magnum Logix Operation Manual or Price List for correct size backwash flow control, refill control, and injectors for Magnum retrofits.

LOGIX 764 REPLACEMENT PARTS

Replacement Control

1254886	Assembly, Logix Remote/ Secondary Control, Dark Grey
---------	--

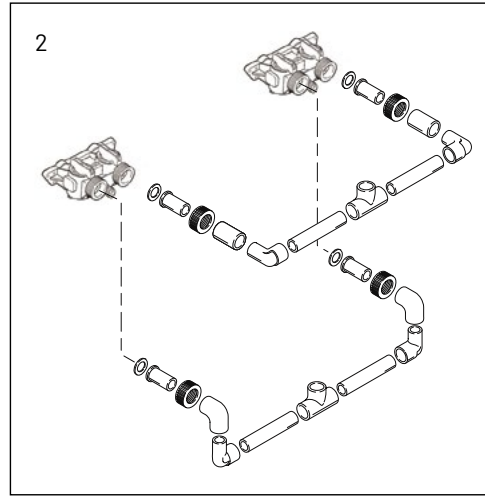
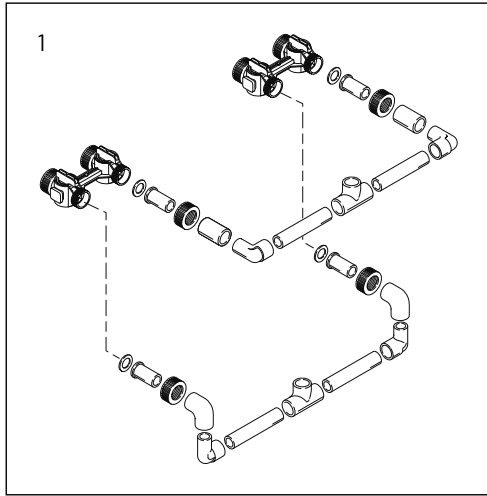
Replacement Parts

1236251	Cam, 255 Logix Valve, Twin
1237406	Cam, 278 Performa Cv Logix Valve, Twin
1001751	Cam, 298 Magnum Logix Valve, Twin
3016715	Assembly Sensor Cable, Logix Twin
3016775	Assembly Sensor Cable Extension, Logix Twin, 9.6 ft.
3020228	Kit, Remote Start/Lockout

REGENERANT VALVE PRODUCT ORDERING INFORMATION

1034643	Regenerant valve assembly with 3/4" riser tube. Regenerant adjustment by float assembly. Sized for 24" and larger regenerant tanks. Uses 5" regenerant well. Regenerant draw flow rates up to 7.8 gpm.	454
---------	--	-----

LOGIX MANIFOLD KITS



ITEM #	PART #	DESCRIPTION
--------	--------	-------------

1	3019933	273/278 Manifold Kit, 1", PVC w/ 1265 Bypass
---	----------------	---

KIT INCLUDES

- Pipe Fitting, Tee, 1-in
- Pipe Fitting, Elbow, Sch 40, 1-in, PVC
- Pipe Fitting, Sch 40, 1-in, Str Elbow, PVC
- Pipe Fitting, Sch 40, 1-in, Coupling, PVC
- Gasket, 1.69 OD x 1.06 ID x 0.13 T, EP
- Adapter Pipe, Soc Connector, 1-in, CPVC, Gray
- Pipe, 1-in, Sch 40 x 12.5 in. long, PVC, 255 Ry
- Pipe-Tube Adapter Nut, 1.42 ID, Universal
- 1265 Bypass w/Install Kit, No Adapters. Single Pack

3019932	764 Manifold Kit, 1" PVC w/No Bypass
----------------	---

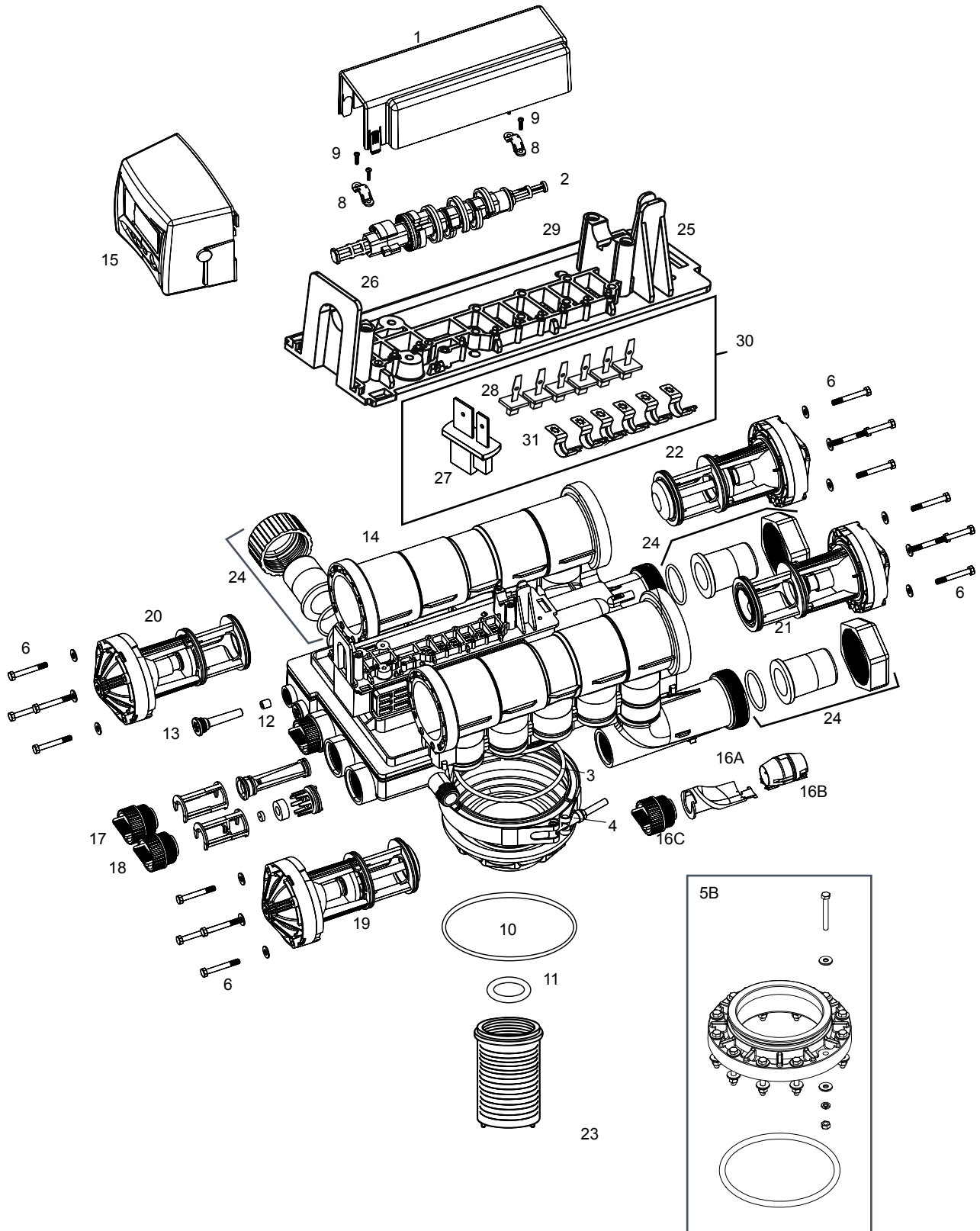
KIT INCLUDES

- Pipe Fitting, Tee, 1-in
- Pipe Fitting, Elbow, Sch 40, 1-in, PVC
- Pipe Fitting, Sch 40, 1-in, Str Elbow, PVC
- Pipe Fitting, Sch 40, 1-in, Coupling, PVC
- Gasket, 1.69 OD x 1.06 ID x 0.13 T, EP
- Adapter Pipe, Soc Connector, 1-in, CPVC, Gray
- Pipe, 1-in, Sch 40 x 12.5 in. long, PVC, 255 Ry
- Pipe-Tube Adapter Nut, 1.42 ID, Universal

2	3019931	255 Manifold Kit, 1", PVC w/256 Bypass
---	----------------	---

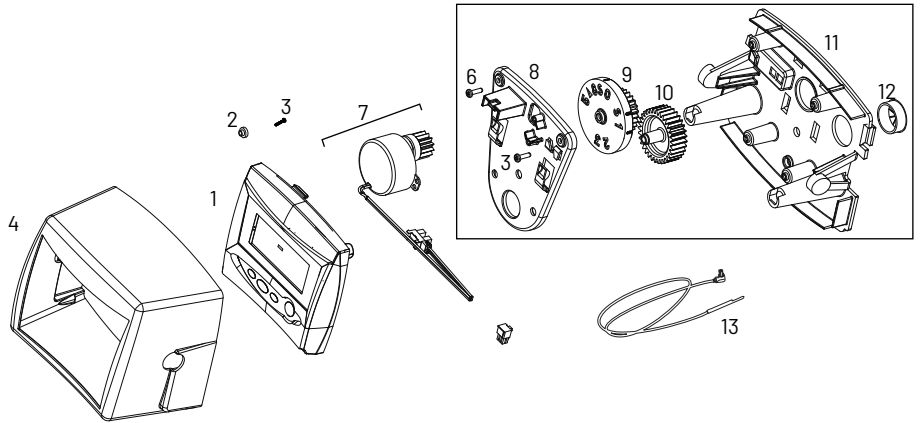
ITEM #	PART #	DESCRIPTION
KIT INCLUDES		
		Pipe Fitting, Tee, 1-in
		Pipe Fitting, Elbow, Sch 40, 1-in, PVC
		Pipe Fitting, Sch 40, 1-in, Str Elbow, PVC
		Pipe Fitting, Sch 40, 1-in, Coupling, PVC
		Gasket, 1.69 OD x 1.06 ID x 0.13 T, EP
		Adapter Pipe, Soc Connector, 1-in, CPVC, Gray
		Pipe, 1-in, Sch 40 x 12.5 in. long, PVC, 255 Ry
		Pipe-Tube Adapter Nut, 1.42 ID, Universal
		256 Bypass w/Install Kit, No Adapters. Single Pack

LOGIX MAGNUM IT VALVES



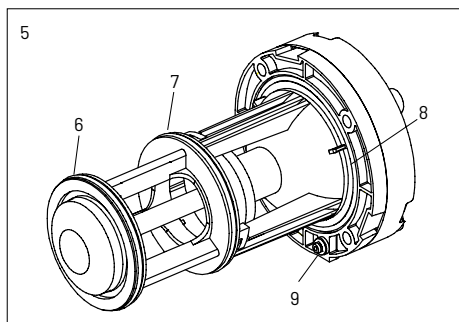
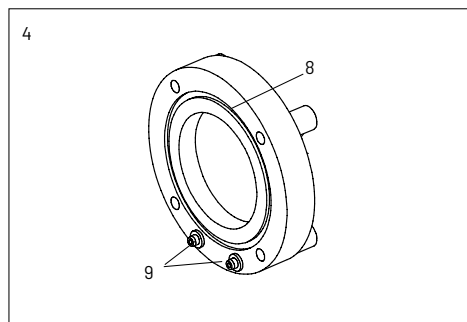
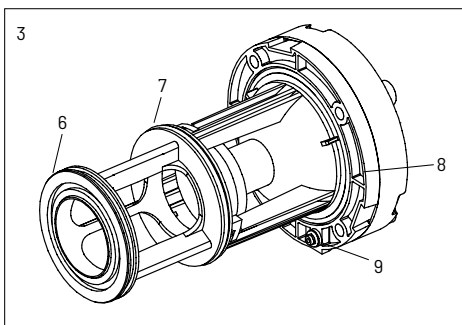
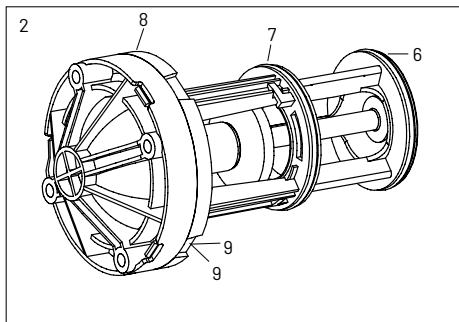
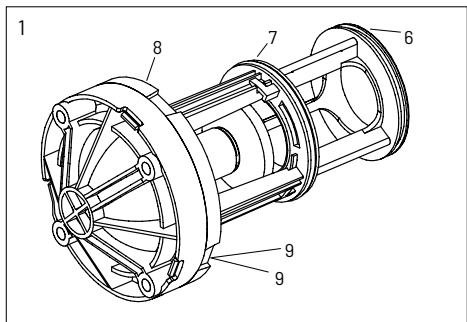
ITEM #	PART #	DESCRIPTION
1	1000343	Cam Cover
2	1001751	Logix Magnum Camshaft
3	3026486	O-ring, Valve Body to Tank Adapter
4	3024785	Clamp, Magnum Tank Adapter
5B	CH20805	Plastic 6-inch Flange Kit (includes flange, nuts, bolts, O-ring)
6	1005456	Screw, Hex Cap , 18-8, 1/4-20 x 1.75" long
8	1000589	Pillow Block
9	3018941	Screw, Pillow Block, 8-18 x 1.0" Self Tap
10	1010162	O-ring, Tank Adapter to Tank, -347, EP
11	1010160	Riser O-ring, -225, EP
12	3025780	Internal Pilot System Check Valve
13	1000226	Pilot Screen Assembly
14	4001261	BODY, MAGNUM IT , 2", 5 CYC NOHARD WTR BYPASS, W/O INJ/REFILL
	4001262	BODY, MAGNUM IT , 2", 5 CYC WITHHARD WTR BYPASS, W/O INJ/REFILL
15	SEE LOGIX MAGNUM IT CONTROLLER (pg. 42)	
16A	1232965	Internal Turbine Assembly
16B	1000074	Insert, Corner, 2"
16C	1040688	Assembly, Cap
17	SEE LOGIX MAGNUM IT INJECTOR ASSEMBLY (pg. 44)	
18	SEE LOGIX MAGNUM IT REFILL CONTROL ASSEMBLY (pg. 45)	
19	SEE LOGIX MAGNUM IT VALVE CARTRIDGES (pg. 43)	
20	SEE LOGIX MAGNUM IT VALVE CARTRIDGES (pg. 43)	
21	SEE LOGIX MAGNUM IT VALVE CARTRIDGES (pg. 43)	
22	SEE LOGIX MAGNUM IT VALVE CARTRIDGES (pg. 43)	
23	1009115	Top Stack Distributor
24	SEE LOGIX MAGNUM IT INSTALLATION ADAPTER KITS (pg. 46)	
25	1000339	Top Plate
26	1234170	Screw Short, Top Plate, 8-18 x 0.56" Self Tap
27	1000391	Brine Valve Disc
28	1000328	Pilot Valve Disc
29	3018941	Screw Long Top Plate, 8-18 x 1" Self Tap
30	1040692	Flapper Kit
31	1001580	Spring

14



ITEM #	PART #	DESCRIPTION
	3003191	Logix 742 Control, North American, 60 Hz
	3003193	Logix 742F Control, North American, 60 Hz
	3003197	Logix 762 Control, North American, 60 Hz
	3003199	Logix 762F Control, North American, 60 Hz
	3022006	Magnum 298 Logix 764 Control with Conditioner Faceplate Overlay - English, 60 Hz
	3022007	Magnum 293 Logix 764 Control with Filter Faceplate Overlay - English, 60 Hz
1	3022348	Magnum 298-764 Logix Cond Cont - World, 50/60 Hz
	3022349	Magnum 293-764F Logix Fltr Cont World, 50/60 Hz
	3003192	Logix 742 Magnum Control, World, 50/60 Hz
	3003194	Logix 742F Magnum Control, World, 50/60 Hz
	3022348	Logix 764 Magnum Control, Conditioner Overlay, 50/60 Hz
	3022349	Logix 764 Magnum Control, Filter Overlay, 50/60 Hz
2	1266224	Bushing, Logix Mount
3	1005981	Screw, 6-20 x 0.5" Self Tap
4	1262674	Cover, Logix Magnum
5	1233809	Logix Magnum Drive Assy Kit (Includes four each of item 6, one each of items 7 through 12)
6	1005981	Screw, 6-20 x 0.5" Self Tap
7	3019221	Motor, Logix Cable and Optic Sensor Assembly
8	1262673	Gear Plate, Logix
9	1262581	Drive Gear, Logix
10	1262672	Idler Gear, Logix
11	1262580	Back Plate, Logix Magnum
12	1239647	Bushing, Cable
	1266722	Meter Cable, 32 inches
13	1266723	Meter Cable, 10 feet
	1266724	Meter Cable, 25 feet
14	3007288	742F Magnum Filter Control Complete N. American
	3038939	764 Magnum Control Complete N. American
	1263718	Remote Mount Kit, with 10 ft Cable
	1256257	Remote Mount Kit, No Extension Cable

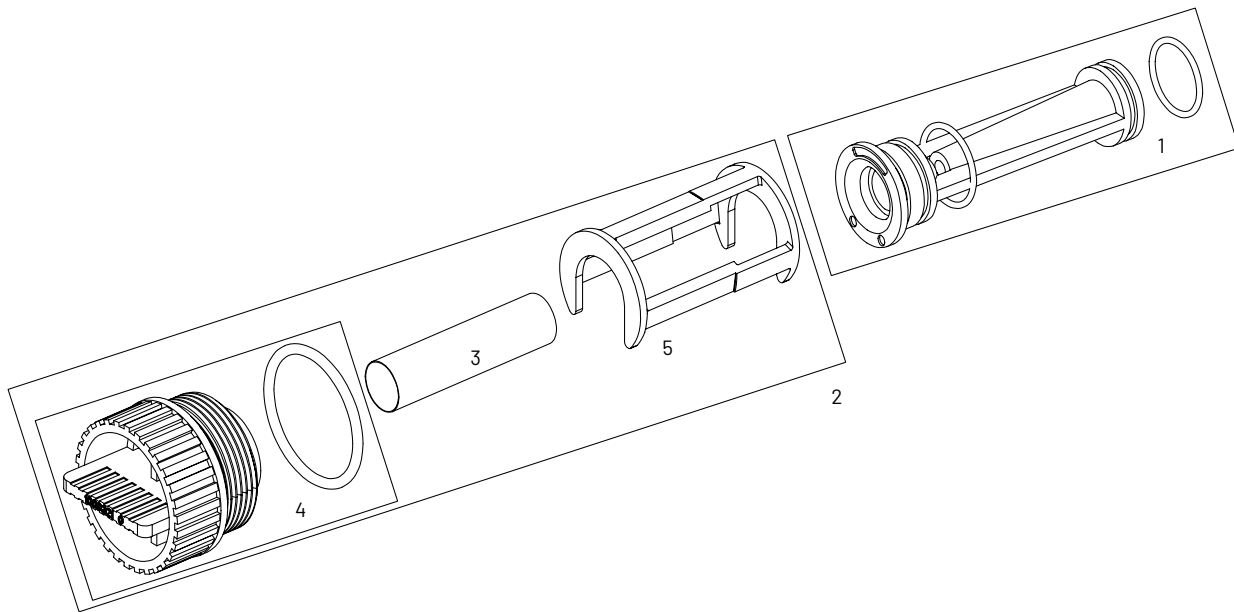
LOGIX MAGNUM IT VALVE CARTRIDGES



ITEM #	PART #	DESCRIPTION
1	1000366	Drain Valve Cartridge, Single Seat - Spring Assisted, W/O-ring
2	1000365	Rinse Valve Cartridge, Double Seat - Spring Assisted, W/O-ring
3	1000366	No Hardwater Bypass Valve Cartridge, Single Seat - Spring Assisted, W/O-ring
4	1000336	Hardwater Bypass Cap
5	1000317	Inlet Valve Cartridge, Double Seat - No Spring Assist, W/O-ring
6	1010157	O-ring, -147, EP
7	1010158	O-ring, -149, EP
8	1231646	O-ring, 81 mm x 87 mm, EP
9	1010116	O-ring, -107, EP (qty. 2 per cartridge)

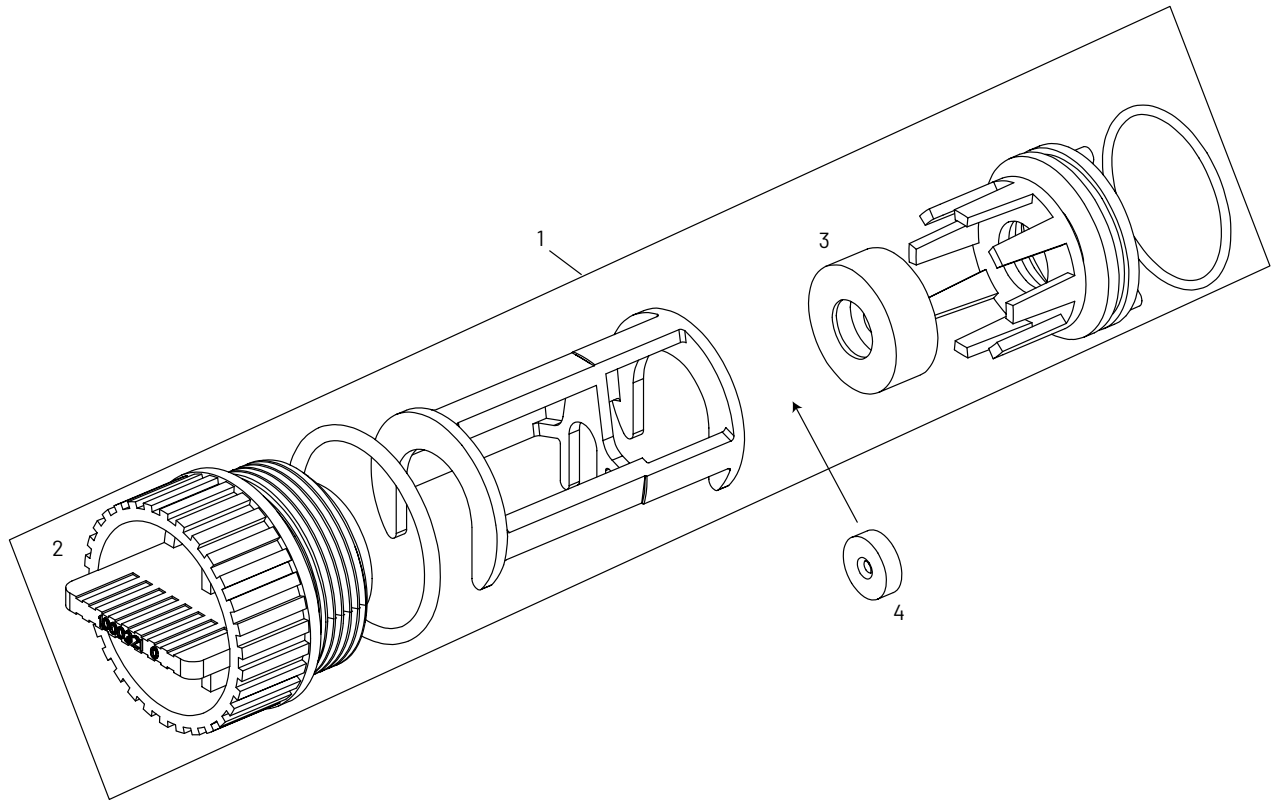
Items 1 and 3 are identical valve cartridges.

LOGIX MAGNUM IT INJECTOR ASSEMBLY



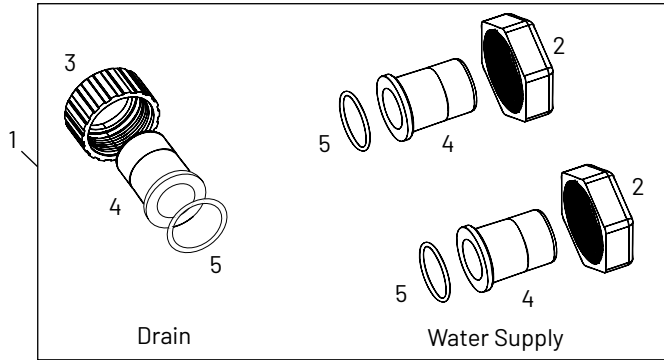
ITEM #	PART #	DESCRIPTION
1	1040670	Injector for 14-inch (35.6 cm) Tank - 0.5 gpm (1.9 Lpm)(includes O-rings)
	1040671	Injector for 16-inch (40.6 cm) Tank - 0.5 gpm (1.9 Lpm)(includes O-rings)
	1040672	Injector for 18-inch (45.7 cm) Tank - 0.6 gpm (2.27 Lpm)(includes O-rings)
	1040673	Injector for 21-inch (53.3 cm) Tank - 0.9 gpm (3.41 Lpm)(includes O-rings)
	1040674	Injector for 24-inch (61.0 cm) Tank - 1.4 gpm (5.3 Lpm)(includes O-rings)
	1040675	Injector for 30-inch (76.2 cm) Tank - 2.0 gpm (7.57 Lpm)(includes O-rings)
	1040676	Injector for 36-inch (91.4 cm) Tank - 3.3 gpm (12.5 Lpm)(includes O-rings)
	1040669	Injector, Blank (includes O-rings)
2	1040677	Injector Assembly (Less Injector)
3	1040678	Injector Screen (3 pack)
4	1040688	Cap (including O-rings)
5	1000319	Retainer, Injector, Magnum Cv

LOGIX MAGNUM IT REFILL CONTROL ASSEMBLY



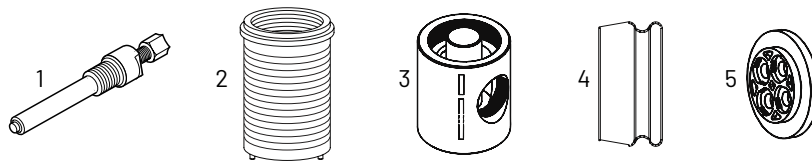
ITEM #	PART #	DESCRIPTION
1	1040687	Refill Assembly
2	1040688	Cap (includes O-ring)
3	1040686	Refill Flow Control Cage (3 pack)
	1040679	Refill Flow Control for 14-inch (35.6 cm) Tank - 0.7 gpm (2.6 Lpm)(3 pack)
	1040680	Refill Flow Control for 16-inch (40.6 cm) Tank - 0.8 gpm (3.0 Lpm)(3 pack)
	1040681	Refill Flow Control for 18-inch (45.7 cm) Tank - 1.0 gpm (3.8 Lpm)(3 pack)
4	1040682	Refill Flow Control for 21-inch (53.3 cm) Tank - 1.4 gpm (5.3 Lpm)(3 pack)
	1040683	Refill Flow Control for 24-inch (61.0 cm) Tank - 2.0 gpm (7.6 Lpm)(3 pack)
	1040684	Refill Flow Control for 30-inch (76.2 cm) Tank - 3.0 gpm (11.4 Lpm)(3 pack)
	1040685	Refill Flow Control for 36-inch (91.4 cm) Tank - 5.0 gpm (19.0 Lpm)(3 pack)

LOGIX MAGNUM IT INSTALLATION ADAPTER KITS



ITEM #	PART #	DESCRIPTION
1	3023849	Magnum IT Adapter Kit - Stainless Steel NPT for inlet, outlet, drain
	3023674	Magnum IT Adapter Kit - Stainless Steel BSP for inlet, outlet, drain
	1040784	Magnum IT Adapter Kit - CPVC for inlet, outlet, drain
	3023732	Magnum IT Adapter Kit - Stainless Steel 1.5" NPT Inlet/Outlet
2	1030664	2-inch Cast Zinc Diecast Nut
3	1000356	Glass Filled Noryl Nut for 1.5" Adapter
4	3014558	2-inch Stainless Steel NPT Adapter
	3014559	2-inch Stainless Steel BSP Adapter
	1030666	2-inch CPVC Adapter
5	1010160	1.5-inch Adapter O-ring, -225, EP
	1010165	2.0-inch Adapter O-ring, -229, EP

LOGIX MAGNUM IT MISCELLANEOUS KITS AND ASSEMBLIES

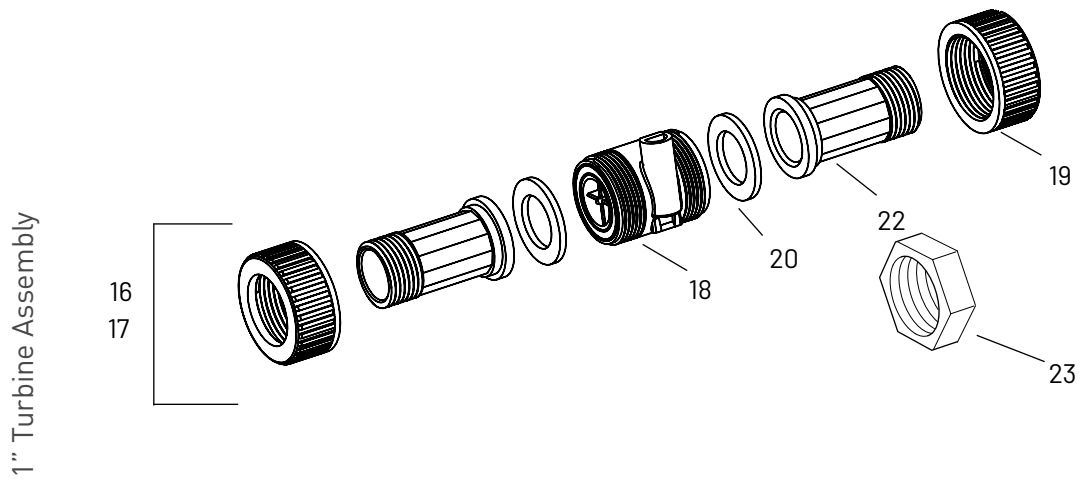
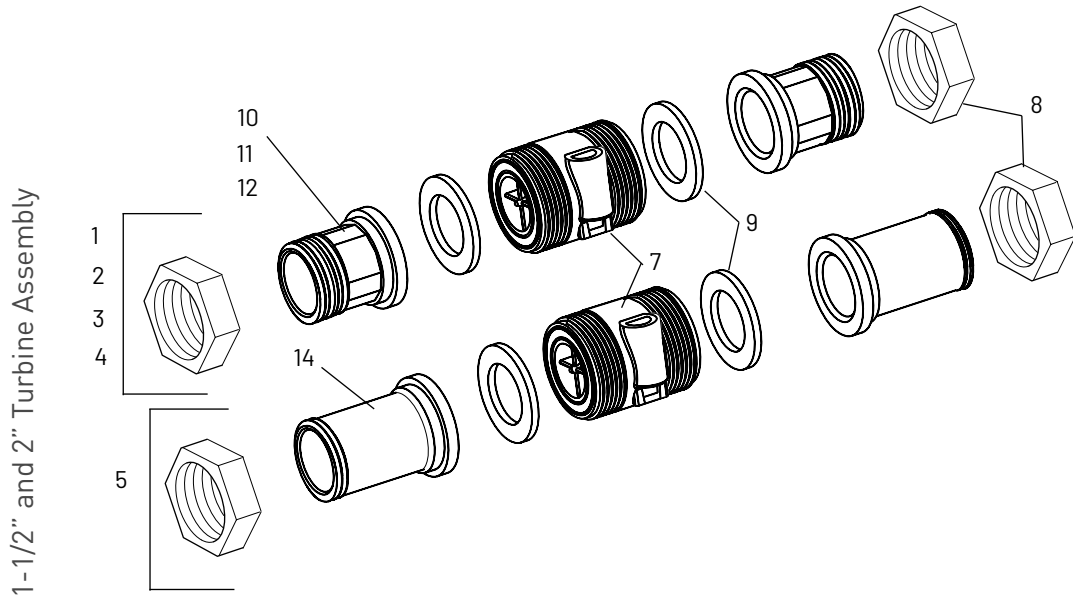


ITEM #	PART #	DESCRIPTION
1	1040668	External Pilot Feed Adapter (separate source pilot water drain)
	1040691	Valve O-ring Kit (tank adapter O-ring, (3) O-rings for 1-1/2-inch inlet, outlet, drain and distributor O-ring)
2	1009115	Top Stacking Distributor
	1041064	Red Breakaway Cam Kit for Hydraulic Output, Configurable
3	1040920	Side Mount Adapter for Magnum IT, 2-inch NPT
	1040921	Side Mount Adapter for Magnum Cv and Magnum IT, 2-inch BSP
	3019466	Switch Kit for Magnum Controls (3 Switches and Cams - 0.1 Amp)
	3019467	Switch Kit for Magnum Controls (3 Switches and Cams - 5 Amp)
	3019468	Switch Kit for Magnum Controls (1 Switch - 0.1 Amp)
	3019469	Switch Kit for Magnum Controls (1 Switch - 5 Amp)
	3019523	Switch Kit, 5 Amp, w/Breakaway Cam
DRAIN LINE FLOW CONTROL INSERTS		
4	1040756	5 gpm Flow Control Inserts (25 Pack) - Blue
	1040757	6 gpm Flow Control Insert (25 Pack) - Red
	1040758	7 gpm Flow Control Inserts (25 Pack) - Brown
	1040759	8 gpm Flow Control Inserts (25 Pack) - Green
	1040760	9 gpm Flow Control Inserts (25 Pack) - White
	1040761	10 gpm Flow Control Inserts (25 Pack) - Orange
	1040763	Blank Flow Control Inserts (25 Pack) - Black
5	1040762	Disks (12 Pack)(includes O-rings)

ITEM #	PART #	DESCRIPTION
DRAIN LINE FLOW CONTROLS†		
1040720	5 gpm Flow Control Disk With Inserts (includes O-Ring)	
1040721	6 gpm Flow Control Disk With Inserts (includes O-Ring)	
1040722	7 gpm Flow Control Disk With Inserts (includes O-Ring)	
1040723	8 gpm Flow Control Disk With Inserts (includes O-Ring)	
1040724	9 gpm Flow Control Disk With Inserts (includes O-Ring)	
1040725	10 gpm Flow Control Disk With Inserts (includes O-Ring)	
1040726	11 gpm Flow Control Disk With Inserts (includes O-Ring)	
1040727	12 gpm Flow Control Disk With Inserts (includes O-Ring)	
1040729	14 gpm Flow Control Disk With Inserts (includes O-Ring)	
1040740	15 gpm Flow Control Disk With Inserts (includes O-Ring)	
1040741	16 gpm Flow Control Disk With Inserts (includes O-Ring)	
1040742	17 gpm Flow Control Disk With Inserts (includes O-Ring)	
1040743	18 gpm Flow Control Disk With Inserts (includes O-Ring)	
1040744	19 gpm Flow Control Disk With Inserts (includes O-Ring)	
1040745	20 gpm Flow Control Disk With Inserts (includes O-Ring)	
1040747	22 gpm Flow Control Disk With Inserts (includes O-Ring)	
1040748	23 gpm Flow Control Disk With Inserts (includes O-Ring)	
1040749	24 gpm Flow Control Disk With Inserts (includes O-Ring)	
1040730	25 gpm Flow Control Disk With Inserts (includes O-Ring)	
1040732	27 gpm Flow Control Disk With Inserts (includes O-Ring)	
1040733	28 gpm Flow Control Disk With Inserts (includes O-Ring)	
1040735	30 gpm Flow Control Disk With Inserts (includes O-Ring)	
1040737	32 gpm Flow Control Disk With Inserts (includes O-Ring)	
1040750	35 gpm Flow Control Disk With Inserts (includes O-Ring)	
1040751	36 gpm Flow Control Disk With Inserts (includes O-Ring)	
1040754	39 gpm Flow Control Disk With Inserts (includes O-Ring)	
1040755	40 gpm Flow Control Disk With Inserts (includes O-Ring)	

† Fleck DLFC can be used above 40 gpm.

AUTOTROL TURBINE METERS



ITEM #	PART #	DESCRIPTION
1	3023536	2" NPT Turbine Assembly Complete
2	3023537	2" BSPT Turbine Assembly Complete
3	3023534	1-1/2" NPT Turbine Assembly Complete
4	3023535	1-1/2" BSPT Turbine Assembly Complete
5	1034080	2" PVC Turbine Assembly Complete
7	1033358	2" Turbine Meter Only
8	1030664	2" Turbine Nuts
9	3030498	2" Turbine Gaskets
10	3014558	2" NPT Stainless Steel Adapters
11	3014559	2" BSPT Stainless Steel Adapters
12	3014630	1-1/2" NPT Stainless Steel Adapters
14	1030666	2" PVC Solvent Weld
16	3023532	1" NPT Turbine Assembly Complete
17	3023533	1" BSPT Turbine Assembly Complete
18	1033317	1" Turbine Assembly Only
19	1034385	1" Turbine Nuts (For PVC Adapters)
20	1030541	1" Gaskets
22	3013736	1" BSPT Stainless Steel Adapter
23	1030579	1" Pipe Adapter (PVC)
TURBINE METER CABLES		
	1266722	32" Meter Cable w/Logix Connection (used on all 255, Performa, Magnum IT Logix Valves)
	1266723	10' Meter Cable w/Logix Connector
25	1266724	25' Meter Cable w/Logix Connector
	1033352	10' Meter Cable Bare Wires on Control Side
	1033354	25' Meter Cable Bare Wires on Control Side

PART #	DESCRIPTION
--------	-------------

PARTS LISTING SORTED BY PART NUMBER

40576-01	CLIP, H, PLASTIC
44149	TRANSFORMER, WALL, 120VAC W/NORTHAMERICAN PLUG
44156	120 VAC, 60 HZ OUTDOOR N. AMERICAN PLUG
44193	TRANSFORMER, WALL, N.AMER, 230/50-60HZ
61561	CONNECTOR, 1", NPT, BRASS
61562	CONNECTOR, 1-1/2", NPT, BRASS
61626	CONNECTOR, 3/4" & 1", SWEAT
1000094	DOOR, FACEPLATE, 460I-463I
1000098	MOTOR, 11V/50HZ, 3 WATT, 2/3 RPM
1000099	MOTOR, 11V/60HZ, 3 WATT, 2/3 RPM
1000208	ASSY, BACKWSH FLOW CONT, #6 TK, GRAY, PBT
1000209	ASSY, BACKWASH FLOW CONT, #7 TANK, GRAY, PBT
1000210	ASSY, BACKWASH FLOW CONT, #8 TANK, GRAY, PBT
1000211	FLOW CONTROL ASSY, BKWSH, #9TANKGRAY
1000212	ASSY, BACKWASH FLO CONT #10TANK, GRAY, PBT
1000213	ASSY, BACKWASH FLO CONT, #12 TANK, GRAY, PBT, (NO BALL REQUIRED)
1000214	ASSY, BWK FLO CONT, #13 TANK GRYPBT, (NO BALL REQUIRED)
1000215	FLOW CONTROL ASSY, BKWSH, #14GRAY
1000221	BRINE ASSY, REFILL CONT, .14GPMGRAY
1000224	BRINE ASSY, REFILL CONT, .74GPMGRAY
1000226	SCREEN & CAP ASSY, GRAY, PBT
1000232	REPLACEMENT VALVE ASSY 255-400SERIES - NEW TOP PLATE
1000250	KIT, REPL VAL DISK, 255 VALVE, EP
1000269	ASSY, CAP, BLANK, GRAY, PBT
1000317	ASSY, CARTRIDGE, PRIN VALVE-DBLW/O SPRING
1000319	RETAINER, INJECTOR, MAGNUM Cv
1000336	HOUSING CAP, HARD WATER BYPASS, MAGNUM CV
1000356	NUT, PIPING ADPTR, PLASTIC, 1.5"(NORYL)
1000358	ADAPTER, PIPING, 1.5 SOC CONNCPVC
1000365	ASSY, CARTRIDGE, PRIN VALVE-DBLW/SPRING
1000366	ASSY, CARTRIDGE, PRINCIPAL VALVESGL
1000376	MOTOR, 120V/60HZ, BLK LD W/CLUTH
1000406	ASSY, DRAIN LINE FLOW CONTROL, 12 GPM
1000407	ASSY, DRAIN LINE FLOW CONTROL15 GPM
1000409	ASSY, DRAIN LINE FLOW CONTROL, 20 GPM
1000413	ASSY, BODY-TOP PLATE, 278 PERFORMA CV
1000462	CAM, FEEDBACK SWITCH, UNIVERSAL, BLACK

PART #	DESCRIPTION
1000499	CAM, BRINE, TAN, 5 CYC TWIN
1000519	FLOW CONTROL ASSY, 1.3 GPM, GRAY
1000553	CAM, AUX SWITCH, FULL CYC, POS #6, BURGUNDY
1000554	CAM, AUX SWITCH, PART CYC, POS #6, BURGUNDY
1000589	CAP, PILLOW BLOCK
1000810	100 VAC, 50/60 Hz, Japanese Plug
1000812	TRANSFORMER, WALL, AUSTRALIANPLUG
1000813	TRANSFORMER, WALL, BRITISH PLUG
1000814	TRANSFORMER, WALL, EUROPEAN PLUG
1000982	ADAPTER, PIPE, PLASTIC, MALE THRD3/4-14 NPT
1001404	KIT, O-RINGS, TANK ADPTR, 253/255
1001522	ADAPTER, PIPE, PLASTIC, 1"NPTMALE THD
1001580	SPRING, VALVE, DISC-TOP PLATE
1001603	KIT, PIPE ADAPTER, 1" MNPTPLASTIC-PAIR
1001604	KIT, ADPTR, 3/4-14 MBSP, PLSTC-PAIR
1001605	KIT, ADPTR, PIPE, 1-11 MBSP, PLSTCPAIR
1001606	KIT, TUBE ADAPTER, COPPER, 3/4"
1001613	KIT, ADAPTER, SOCKET, 3/4"
1001614	KIT, ADAPTER, SOCKET, 1" CPVC
1001615	KIT, ADPTR, SOCKET, 25MM PIPE, CPVC, SINGLE PAIR
1001670	KIT, ADAPTER, COPPER, 1 1/8"OD
1001769	KIT, ADAPTER, PLASTIC, 3/4"NPT
1001986	ADPTR, RISER TUBE, 0.812", RUBBER, 255 VALVE
1002449	FITTING, ELBOW, 1/2 HOSE 3/4FNPT
1002735	FITTING, TUBE, ELBOW, 3/8T X 3/8FNPT, PP #45-6-6-PO
1005600	SCREW, PHL HD, 8-32X1.5"MACH, BRS
1005615	SCREW, PAN HD, 4-40X.25, PLTD
1005981	SCREW, PHL HD, 6-20X.50, SLF-TAP
1009021	CAPLUG, TAPERED, 0.755 DIA, BLACK, LD POLY
1009115	DISTRIBUTOR TOP STACKSEGMENTED CLACK P/N D1219
1009817	VALVE, CHECK, .25"MNPT, 5.9 GPM
1010112	O-RING, EPDM, -019, 70 DURO
1010113	O-RING, SPCL, EPDM, -020, 70
1010119	O-RING, EPDM, -112, 70 DURO
1010154	O-RING, SPCL, PRESS AND PLACE, EPDM, 70 DURO
1010162	O-RING, EPDM, -347, 70 DURO
1010165	O-RING, SPCL, EPDM, -229, 70 DURO
1014081	SILICONE, TUBE, 8 OZ

PART #	DESCRIPTION
1030000	460I CONTROL, 12V/60HZ, GRAY, ENG W/TRANSFORMER
1030129	KIT, MANIFOLD, PIPE-FTNG ONLY, 255 RDYSOFT
1030206	KIT, MANIFOLD, NO BYPASS, READYSOFT/PERFORMA TWIN
1030272	ASSY, INJECTOR, "D" SIZE, GREEN
1030334	ASSY, BRINE REFILL CONT, PLUGGED, GRAY, PBT
1030355	ASSY, DRAIN LINE FLOW CONTROL, 5GPM
1030356	ASSY, DRAIN LINE FLOW CONTROL6 GPM
1030357	ASSY, DRAIN LINE FLOW CONTROL, 7GPM
1030358	ASSY, DRAIN LINE FLOW CONTROL8 GPM
1030359	ASSY, DRAIN LINE FLOW CONTROL, 9 GPM
1030360	FLOW CONTROL ASSY, DRAIN LINE10 GPM
1030368	ADAPTER, TUBE, COPPER, 1.25"OD
1030376	CAM, 268FA-400 SERIES VALVES, BURGUNDY
1030428	450iCTL, 45, 45TE, 45M1DOMESTIC 180 SERVICE
1030502	BALL, BRINE-BKWSH, 0.557" DIA.AK-HO 5-50
1030528	BALL, AIRCHECK, 0.750" DIA, EPDM, DURO 45
1030540	ADAPTER, TUBE, COPPER, 7/8"ODCOPPER
1030541	GASKET, PIPE ADAPTER
1030545	ADAPTER, TUBE, COPPER, 1 1/8"
1030578	ADAPTER, .75", SOC CONN, CPVC, GRY
1030579	ADAPTER, PIPE, 1", SOC CONN, CPVCGRAY
1030664	NUT, HEX, 2 PIPING ADPTR, ZINC, 3-12 UN
1030666	ADAPTER, PIPE, SOC CON, CPVC*INTV2, GRAY
1031391	PIN, CONTROL LOCKING, BLACK
1031402	LOCKING BAR, 253/255-ENGLISH
1031406	LOCKING BAR ASSY, 253/255 VALVE JAPANESE
1031950	CAM, ONE PIECE 255-400 SERIESVALVE
1032350	KIT, ADPTR W/1" TURBINE, 255 VALVE
1032416	KIT, AIRCHECK, 3/8" TUBE FTG 255VALVE
1032417	KIT, AIRCHECK, 1/4" MNPT, 255
1032969	ASSY, CAM, WATER SAVER, 155-255 VALVE
1032970	INJECTOR ASSY, A SIZE, WHITE
1032971	INJECTOR ASSY, B SIZE, BLUE
1032972	INJECTOR ASSY, C SIZE, RED
1032975	CAP ASSY, C SIZE INJECTOR
1032977	ASSY, INJECTOR, 4 BUMP, SIZE 9"
1032980	ASSY, INJECTOR, 5 BUMP, SIZE 10"
1032982	ASSY, INJECTOR, 6 BUMP, SIZE 12"
1032984	ASSY, INJECTOR, 2 BUMP, SIZE 7"

PART #	DESCRIPTION
1033013	KIT, REPL VAL DISK, 155, 163/168VAL
1033024	ASSY, CAM, OLD STYLE SEG, 155-255VALVE
1033025	CAM ASSY, 255, XSALT, LONG RINSE
1033026	ASSY, CAM, LONG RINSE, 255-255FAVALVE
1033057	TURBINE WHEEL ASSY, 1", STD
1033066	KIT, ADAPTER, THD'D AIRCHECK
1033238	KIT, 1" TURBINE W/1" SOC CONNECTOR
1033317	ASSY, 1" TURBINE, HI PERFORM W/MALE THDS
1033352	TURBINE CABLE ASSY, 10'
1033354	SENSOR CABLE ASSY, 25'
1033358	ASSY, 2" TURBINE, 400 SERIES
1033444	ASSY, 1" INTERNAL TURBINE, 263-278 VALVE
1033784	ASSY, TANK ADAPTER, 255 VALVE
1034080	KIT, 2" TURBINE W/2" SOC CONN, PVC
1034102	ASSY, INJECTOR, "CC" SIZE, 172 VA
1034261	BRINE CONTROLLER ASSY, 1-10 LBSGRAY
1034263	ASSY, BRINE CONTROLLER, 3-19 LBS, GRAY
1034301	KIT, ROTOR REPL W/SEALS, 256-1265 BYPASS
1034302	BYPASS REPAIR KIT, 2 SEALS, 2 CLIPS, 4 O-RINGS
1034303	CLIP, RETAINER, BY-PASS ROTOR24 PACK
1034385	NUT, PIPE-TUBE ADPTR, 1.42 ID, UNIVERSAL
1034643	BRINE VALVE, 454 HI FLO, 54" ROD
1034936	THROAT & NOZZLE ASSY, 22X50, YEL
1035606	ASSY, VALVE, 263/268-400 SERIESOLD STYLE TOP PLATE
1035622	TANK RING, 263-278 VALVES
1035624	CAM, 263-400 SERIES VALVE
1035625	CAM, 268-400 SERIES VALVES, STD, BLACK
1035627	CAM, 268-400 SERIES, XSALT-LG RINSE, WHITE
1035640	KIT, MANIFOLD, 1" PVC W/256 BP, READYSOFT
1035730	INJECTOR ASSY, E, YELLOW
1035731	INJECTOR ASSY, "F" SIZE, PEACH
1035732	INJECTOR ASSY, G, TAN
1035733	INJECTOR ASSY, H, LT PURPLE
1035734	ASSY, INJECTOR, "J" SIZE, LT.BLUE
1035735	ASSY, INJECTOR, "K" SIZE, PINK
1035736	ASSY, INJECTOR, "L" SIZE, ORANGE
1035737	ASSY, INJECTOR, "M" SIZE, BROWN
1035738	ASSY, INJECTOR, "N" SIZE, DK. GREEN
1035739	ASSY, INJECTOR, "O" SIZE, DK. PURPLE

PART #	DESCRIPTION
1035884	ASSY, INJECTOR, "R" SIZE, DK.GRAY
1040001	KIT, RETROFIT, 460I-168, 12V/60HZ
1040002	KIT, RETROFIT, 460I-255 W/TURB ADPTR
1040021	TURBULATOR BACKWASH KIT (RISER NOT INCLUDED)
1040279	KIT, MANIFOLD, 3/4" NPT, PLASTIC(NORYL)
1040283	KIT, MANIFOLD, 3/4" BSP, PLASTIC(NORYL)
1040339	KIT, INSTALL, 255 PIPING MANF, 3/4" LG SCR
1040459	KIT, PIPING MANIFOLD O-RINGS
1040524	KIT, INSTALL, 255 MANF/256 BP, NOADPTRS, 1"
1040534	460I CONT, 12V/60HZ, GRAY, ENG, NO TRANSFORMER
1040669	KIT, INJECTOR, BLANK, MAG - SGL PK
1040670	KIT, INJECTOR, 14" TANK, MAG - SGL PK
1040671	KIT, INJECTOR, 16" TANK, MAG - SGL PK
1040672	KIT, INJECTOR, 18" TANK, MAG - SGL PK
1040673	KIT, INJECTOR, 21" TANK, MAG - SGL PK
1040674	KIT, INJECTOR, 24" TANK, MAG - SGL PK
1040675	KIT, INJECTOR, 30" TANK, MAG - SGL PK
1040676	KIT, INJECTOR, 36" TANK, MAG-SGLPACK
1040677	KIT, INJECTOR GROUP W/O INJ, MAGCV - SGL
1040678	KIT, INJECTOR SCREEN, MAG - 3 PK
1040679	KIT, FLOW WASHER, 14" TANK, MAG CV - 3 PK
1040680	KIT, FLOW WASHER, 16" TANK, MAG CV - 3 PK
1040681	KIT, FLOW WASHER, 18" TANK, MAG CV - 3 PK
1040682	KIT, FLOW WASHER, 21" TANK, MAG CV - 3 PK
1040683	KIT, FLOW WASHER, 24" TANK, MAG CV - 3 PK
1040684	KIT, FLOW WASHER, 30" TANK, MAG CV - 3 PK
1040685	KIT, FLOW WASHER, 36" TANK, MAG CV - 3 PK
1040688	KIT, INJECTOR PLUG, MAG - SGL PK
1040691	KIT, VALVE O-RINGS, 1.5" MAGNUM
1040720	KIT, DRAIN LINE FLO, 5 GPM, 1 BLUE, 3 BLK
1040721	KIT, DRAIN LINE FLO, 6 GPM, 1 RED, 3 BLK
1040722	KIT, DRAIN LINE FLO, 7 GPM, 1 BROWN, 3 BLK
1040723	KIT, DRAIN LINE FLO, 8 GPM, 1 GREEN, 3 BLK
1040724	KIT, DRAIN LINE FLO, 9 GPM, 1 WHITE, 3 BLK
1040725	KIT, DRAIN LINE FLO, 10 GPM, 2 BLUE, 2 BLK
1040726	KIT, DRAIN LINE, 11 GPM, 1 RED, 1BLUE, 2 BLK
1040727	KIT, DRAIN LINE FLO, 12 GPM, 2 RED, 2 BLK
1040729	KIT, DRAIN LINE FLO, 14 GPM, 2 BROWN, 2 BLK
1040730	KIT, DRAIN LINE, 25 GPM, 2 GRN1 WHT, 1 BLK

PART #	DESCRIPTION
1040732	KIT, DRAIN LINE FLO, 27 GPM, 3 WHITE, 1 BLK
1040733	KIT, DRAIN LINE FLO, 28 GPM, 4 BROWN
1040735	KIT, DRAIN LINE FLO, 30 GPM, 3 ORANGE, 1 BLK
1040737	KIT, DRAIN LINE FLO, 32 GPM, 4 GREEN
1040740	KIT, DRAIN LINE FLO, 15 GPM, 3 BLUE, 1 BLK
1040741	KIT, DRAIN LINE FLO, 16 GPM, 2 GREEN, 2 BLK
1040742	KIT, DRAIN LINE, 17 GPM, 1 GRN, 1WHT, 2 BLK
1040743	KIT, DRAIN LINE FLO, 18 GPM, 2 WHITE, 2 BLK
1040744	KIT, DRAIN LINE, 19 GPM, 1 ORN, 1WHT, 2 BLK
1040745	KIT, DRAIN LINE FLO, 20 GPM, 4 BLUE
1040747	KIT, DRAIN LINE, 22 GPM, 2 GRN, 1RED, 1 BLK
1040748	KIT, DRAIN LINE, 23 GPM, 1 BRN, 2GRN, 1 BLK
1040749	KIT, DRAIN LINE FLO, 24 GPM, 4 RED
1040750	KIT, DRAIN LINE FLO, 35 GPM1 GREEN, 3 WHT
1040751	KIT, DRAIN LINE FLO, 36 GPM, 4 WHITE
1040755	KIT, DRAIN LINE FLO, 40 GPM, 4 ORANGE
1040756	KIT, FLOW CONTROL INSERT, 5 GPM, BLUE, PACKAGE OF 25 EACH
1040757	KIT, FLOW CONTROL INSERT, 6 GPM, RED, PACKAGE OF 25 EACH
1040758	KIT, FLOW CONTROL INSERT, 7 GPM, BROWN, PACKAGE OF 25 EACH
1040759	KIT, FLOW CONTROL INSERT, 8 GPM, GREEN, PACKAGE OF 25 EACH
1040760	KIT, FLOW CONTROL INSERT, 9 GPM, WHITE, PACKAGE OF 25 EACH
1040761	KIT, FLOW CONT INSERT, 10 GPM, ORANGE, PACKAGE OF 25 EACH
1040762	KIT, HOLDER, DRAIN LINE FLOWCONTROL, PACKAGE OF 12 EACH
1040763	KIT, DRAIN LINE FLOW CONTROL, BLACK, PACKAGE OF 25 EACH
1040769	256 BYPASS W/INSTALL KIT, NO ADAPTERS, SINGLE PACK
1040930	1265 BYPASS ASSY, SNGL PACK
1040957	KIT, VALVE O-RINGS, 2" MAGNUM IT
1041063	KIT, SWITCH, 5 AMP, SINGLE TANK
1041065	KIT, CABLE ASSY, AUX SWITCH, 10FT
1041117	KIT, AUX SWITCH, 5 AMP, 263-278 SIDE MTD
1041174	KIT, REPL VAL DISK, 263-269/EP
1041189	KIT, BLENDER, 263-268 VALVE
1041210	KIT, ADAPTER, COPPER, 1.25"OD
1231291	KIT, MANIFOLD, 1" PVC W/1256 BP, PERF CV TW
1232370	O-RING, EPDM, -318, 70 DURO
1234170	SCREW, PAN HEAD, #8-18 X 9-16 LG
1234254	KIT, PIPING MFLD BOSS, 1" X 1/2"MNPT, PLSTC
1234255	KIT, PIPING MFLD BOSS, 1" X 1/2"MBSP, PLSTC
1234257	KIT, TURB/PIPING MANF BOSS, 3/4"X1/2"MNPT

PART #	DESCRIPTION
1234851	ASSY, INJ, "PF" SIZE, PLUG'D BLK
1235338	TOP PLATE, 263-278 LOGIX VALVE
1235339	SPRING, ONE PIECE, 263-278
1235340	TOP PLATE, 253-255 LOGIX VALVE
1235341	SPRING, ONE PIECE, 253-255
1235352	CAM, 263-268 PERFORMA LOGIXSTD, BLACK
1235353	CAM, 253-255 LOGIX VAL, STD, BLACK
1235446	ASSY, SENSOR CABLE, 760-762/860LOGIX
1236246	COVER, 253-278 LOGIX VALVEDK RGRAY
1236251	CAM, 255 READYSOFT LOGIX VAL, TWIN, TAN
1237405	CAM, 273-278 PERFORMA CV LOGIX, STD, BROWN
1237406	CAM, 278 PERFORMA CV LOGIX VAL, TWIN
1239647	BUSHING, ALL-FIT ADJUSTABLE, 1.093 HOLE
1239711	KIT, AUX SWITCH, FRONT MTD, 0.1 AMP, LOGIX
1239752	KIT, AUX SWITCH, FRONT MTD, 5 AMP, LOGIX
1239753	KIT, AUX SWITCH, SIDE MTD, 0.1 AMP, LOGIX
1239754	KIT, AUX SWITCH, SIDE MTD, 5 AMP, LOGIX
1239760	KIT, BLENDER, 253-278 LOGIX VALVE
1242146	740 CONT, DK GRAY, ENG, N.AMER
1242148	740F CONT, DK GRAY, ENG, N.AMER
1242150	742 CONT, LT GRY, ENG, N.AMER
1242162	742F CONT, LT GRAY, ENG, N.AMER
1242163	760 CONT, DK GRAY, ENG, N.AMER
1242166	760F CONT, DK GRAY, ENG, N.AMER
1242168	762 CONT, LT GRAY, ENG, N.AMER
1242170	762F CONT, LT GRAY, ENG, N.AMER
1244336	PROBE, REFILL SENSOR, 700, .33
1244650	ASSY/REPL 253/255 LOGIX TOP MOD W/O MOT
1244651	ASSY/REPL 263/268 PERF LOGIX VAL W/O MOT
1254886	CONTROL ASSY, RMT/SCDRY, LOGIXDK GRY
1254996	255/740 UPGRD PKG - N.AMER 60HZ
1254997	263/740F UPGRD PKG-N.AMER 60HZW/STANDARD COVER
1254998	268/740 UPGRADE PKG - N.AMER60HZ
1255006	255/760 UPGRD PKG - N.AMER60HZ STANDARD COVER
1255008	268/760 UPGRADE PKG - N.AMER60HZ
1256257	KIT, REMOTE LOGIX CONTROLLER
1262674	COVER, LOGIX MAGNUM CONTROL, BLK
1263718	KIT, REMOTE LOGIX CONTROL W/3MCABLE
1264268	ASSY, FLOW CONT, 3/4 NPT, 1.3 GPM, 7" TANK

PART #	DESCRIPTION
1264270	ASSY, FLOW CONT, 3/4 NPT, 2.1 GPM, 9" TANK
1264271	FLOW CONTROL ASSY, 3/4"NPT2.7GPM, 10" TANK
1264402	FLOW CONTROL ASSY, 3/4"NPT3.8GPM, 12" TANK
1264403	FLOW CONTROL ASSY, 3/4"NPT4.5GPM, 13" TANK
1264404	FLOW CONTROL ASSY, 3/4"NPT5.3GPM, 14" TANK
1266224	WASHER, SHOULDER, NYLON, 0.140 IDX 0.35 OD
1266722	ASSY, SENSOR CABLE, 32.0", LOGIX MAGNUM
1267672	COVER, EURO, SLIMLINE, 253-255
1267806	COVER, 253-278 LOGIX VALVE, UV, ALMOND
1267807	SHIELD, DECORATIVE, PERF LOGIX, UV, ALMOND
1267811	COVER ASSY, W/FRNT INSERT, LOGIX UV, ALMOND
1268102	KIT, NO SALT DETECTOR REFILL, LOGIX VALVE
3002851	255/742 UPGD PKG - N.AMER 60HZ STANDARD COVER
3002856	255/762 UPGD PKG - N.AMER 60HZ STANDARD COVER
3002858	263/742F UPGRD PKG - N.AMER 60HZ W/STANDARD COVER
3002860	263/762F UPGRD PKG - N.AMER 60HZ W/STANDARD COVER
3002862	268/742 UPGRADE PKG - N.AMER 60HZ
3002864	268/762 UPGRADE PKG - N.AMER 60HZ
3002866	278-742F CNTRL UPGD KIT - N.AMER
3002872	278-762 CNTRL UPGD KIT - N.AMER
3007288	742F CONTROLLER MAGNUM N.AMER
3013736	ADPTR, PIPE, SS, 1-11 BSP MALE THD
3013737	ADPTR, PIPE, SS, 0.75-14 BSP MALE THD
3014555	ADPTR, PIPE, SS, 1.5-11.5 NPT
3014558	ADAPTER, PIPE, NPT, MALE, 2-11.5, SS
3014559	ADAPTER, PIPE, 2-11, BSP, SS, MALE
3014630	ADPTR, PIPE, SS, 2" FLG X 1.5 NPT MALE
3016715	SENSOR CABLE ASSY, LOGIX TWIN
3016775	CABLE ASSY, EXT, LOGIX TWIN, 9.6'
3019221	KIT, LOGIX MOTOR/CABLE/OPTICAL SENSOR
3019469	KIT, SWITCH, 5 A, SGL TK, SS
3019870	COVER, I-LID, CLOSED FACE
3019873	LEVER, LOCKING, CAM, 255
3019874	LEVER, LOCKING, CAM, 268
3019931	KIT, MANIFOLD 764, 1" PVC/256BP, 255, LOGIX
3019932	KIT, MANIFOLD 764, 1" PVC/NBP, 255/278, LOGIX
3019933	KIT, MANIFOLD 764, 1" PVC/1265BP/278, LOGIX
3020228	KIT, REMOTE START/LOCKOUT
3022004	255/278 764 CONTROL - N.AMER

PART #	DESCRIPTION
3022005	273-764F FILTER CONTROLNORTH AMERICAN PROGRAMMING
3022009	255/764 UPGD KIT - N.AMERICAN
3022101	278-764T CNTRL UPGD KIT-N.AMER
3022576	TRANSFORMER CABLE
3023532	KIT, 1" TURBINE W/1" NPT ADPTR, SS
3023533	KIT, 1" TURBINE W/1" BSP ADPTR, SS
3023534	KIT, TURBINE, 2" W/2"-1.5" NPT ADPTR, SS
3023536	KIT, 2" TURBINE W/2" NPT ADPTR, SS
3023537	KIT, 2" TURBINE W/2" BSP ADPTR, SS
3023674	KIT, ADPTR, PIPE, 2" BSP, SS, MAG
3023749	KIT, MANIFOLD, 1" NPT, SS
3023761	KIT, MANIFOLD, 3/4" BSP, SS
3023763	KIT, MANIFOLD, 3/4" NPT, SS
3023807	KIT, ADPTR, PIPE, 1-11 BSP, MALE, SINGLE-PAIR
3023824	KIT, ADPTR, PIPE, 3/4-14 MBSP, SSPAIR
3023828	KIT, ADPTR, PIPE, 1-11 NPT, MALE, SS-PAIR
3023849	KIT, ADPTR, PIPE, 1.5"/2" NPT, SS, MAG CV
3023865	KIT, ADPTR, SS, 2" NPT, 1/4 NPT PORT, MAG
3025780	INSERT, CHECK VAL, DW10P, 30.40090
3030409	764 CONTROL-UPGD MAG E-32"SOFTNER-WORLD POGRAMMING
3032980	KIT, TOP PLATE ASSY, 263-269/400W/1 PIECE SPRING
3035634	764 CONTROL-Magnum Softnerw/Upgrd Kit-Twin 10"w/Ext Cab
3038939	764 MAGNUM REPLACEMENT CONTROL
4001085	460TC CONTROL, 12V/60HZ, GRAY, ENGLISH, W/TRANSFORMER
4001086	460TC CONTROL, 12V/60HZ, GRAYENGLISH, NO TRANSFORMER
4001249	460TC CONTROL, 12V/50HZ, GRAY, ENGLISH, NO TRANSFORMER
4001260	12 Volt Motor Assembly w/ Optical Sensor
4001261	BODY, MAGNUM IT , 2", 5 CYC NOHARD WTR BYPASS, W/O INJ/REFILL
4001262	BODY, MAGNUM IT , 2", 5 CYC WITHHARD WTR BYPASS, W/O INJ/REFILL
4001889	VALVE O-RING KIT
4002211	TOP PLATE, 360 SERIES FILTER
4002212	CAM, 3 CYCLE, 360 SERIES FILTER
4002213	SPRING, ONE PIECE
4002459	KIT, DLFC, 4.0GPM, NPT, 360, FLTR
4002460	KIT, DLFC, 4.5GPM, NPT, 360, FLTR
4002461	KIT, DLFC, 5.0GPM, NPT, 360, FLTR
4002462	KIT, DLFC, 6.0GPM, NPT, 360, FLTR
4002463	KIT, DLFC, 7.0GPM, NPT, 360, FLTR

PART #	DESCRIPTION
4002464	KIT, DLFC, 8.0GPM, NPT, 360, FLTR
4002465	KIT, DLFC, 9.0GPM, NPT, 360, FLTR
4002466	KIT, DLFC, 10GPM, NPT, 360, FLTR
4002467	KIT, DLFC, 12GPM, NPT, 360, FLTR
4002468	KIT, DLFC, 15GPM, NPT, 360, FLTR
4002469	KIT, DLFC, 20GPM, NPT, 360, FLTR
4002478	KIT, DLFC, 5.0GPM, BSP, 360, FLTR
4002483	KIT, DLFC, 10GPM, BSP, 360, FLTR
4002486	KIT, DLFC, 20GPM, BSP, 360, FLTR
4002555	KIT, VALVE DISCS, 360 SERIES FILTER
4002671	Control Assembly, 363TC/604, North American
4002672	Control Assembly, 363TC/604, World
4002754	Kit, Remote Regen, 361 & 363
40563-01	CONNECTOR, 1", NPT, PLASTIC
40563-11	CONNECTOR, 1", BSP, PLASTIC
40565-01	CONNECTOR, 1-1/4", NPT, PLASTIC
40565-11	CONNECTOR, 1-1/4", BSP, PLASTIC
41242-01	CONNECTOR, 1" & 1-1/4", SWEAT
41243-01	CONNECTOR, 1-1/4" & 1-1/2", SWEAT
42241-01	CONNECTOR, 1-1/2", NPT, PLASTIC
42241-11	CONNECTOR, 1-1/2", BSP, PLASTIC
42414-01	CONNECTOR, 3/4", NPT, PLASTIC
42414-11	CONNECTOR, 3/4", BSP, PLASTIC
61562-10	CONNECTOR, 1-1/2", BSP, BRASS
CH20805	PLASTIC 6-INCH FLANGE KIT (INCLUDES FLANGE, NUTS, BOLTS, O-RING)



13845 Bishops Dr. | Suite 200 | Brookfield, WI 53005 | United States
P: 262.238.4400 | Customer Care: 800.279.9404 | tech-support@pentair.com

§For a detailed list of where Pentair trademarks are registered, please visit waterpurification.pentair.com/brands. Pentair trademarks and logos are owned by Pentair plc or its affiliates. Third party registered and unregistered trademarks and logos are the property of their respective owners.

© 2018 Pentair Residential Filtration, LLC. All rights reserved.

4004632.REV AF NV18